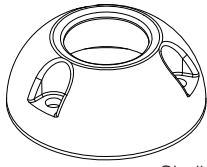
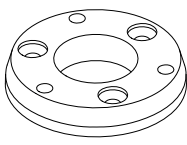
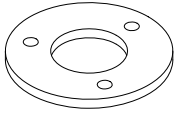


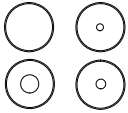
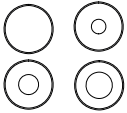
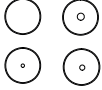


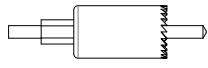



Parts List

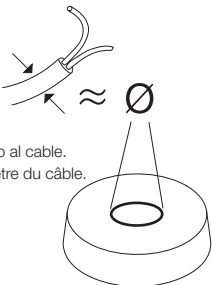
 Shell x1	 Base x1	 Gasket x1	 Self tapping screw DS21 No. 6X16 x3 DS16 No. 4X16 x3
 Bolt - (Black*) DS21 M4X10 x3 DS16 M3X10 x3	 DS21A Bungs x4	 DS21B Bungs x4	 DS16 Bungs x4

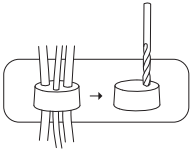
Tools Required

 Pozi Screwdriver	 Silicone
 DS21 - ø21mm (0.82") DS16 - ø16mm (0.62") Hole Saw	 ø2mm (5/64") / ø2.5mm (3/32") ø3mm (1/8") Drill Bit

① Choose bung closest to cable ø.

DE - Wähle Dichtung nahe dem Kabel ø.
 IT - Scegliere il passafili adatto al ø del cavo.
 ES - Elija el tapón con el diámetro más parecido al cable.
 FR - Choisissez le joint le plus proche du diamètre du câble.

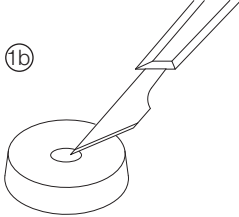


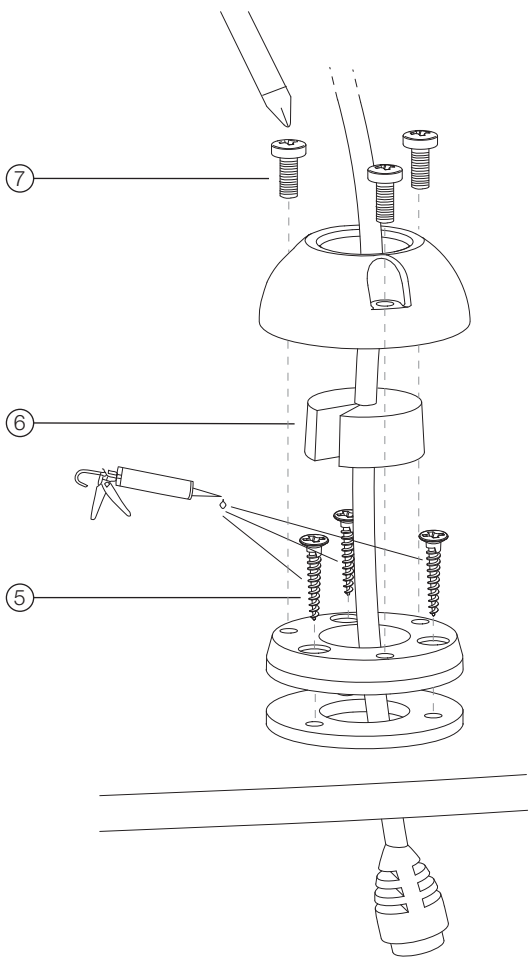
①a 

Tip: freeze before drilling
 -18°C

$\delta = \text{cable diameter} + 1.5\text{mm}$

4mm (0.16")

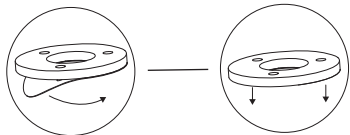
①b 



⑦

⑥

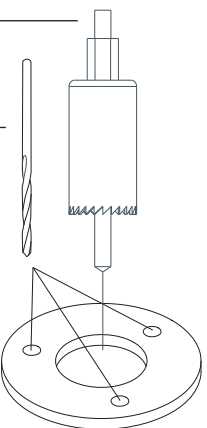
⑤

② 

③ 16mm (0.62")
21mm (0.82")

④ Suggested pilot holes:

Material	No. 4 Screw	No. 6 Screw
Soft Material e.g. plywood	2mm (5/64")	2.5mm (3/32")
Hard Material e.g. fiberglass, acrylic, hardwoods	2.5mm (3/32")	3mm (1/8")



Share your installation with us.



UK & International
 +44 (0)1392 531280
 sales@scanstrut.com

For further installation
 and warranty information
 please visit:
 www.scanstrut.com

USA
 +1 860 308 1416
 usasales@scanstrut.com

