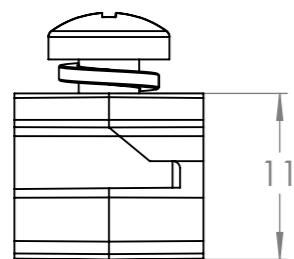
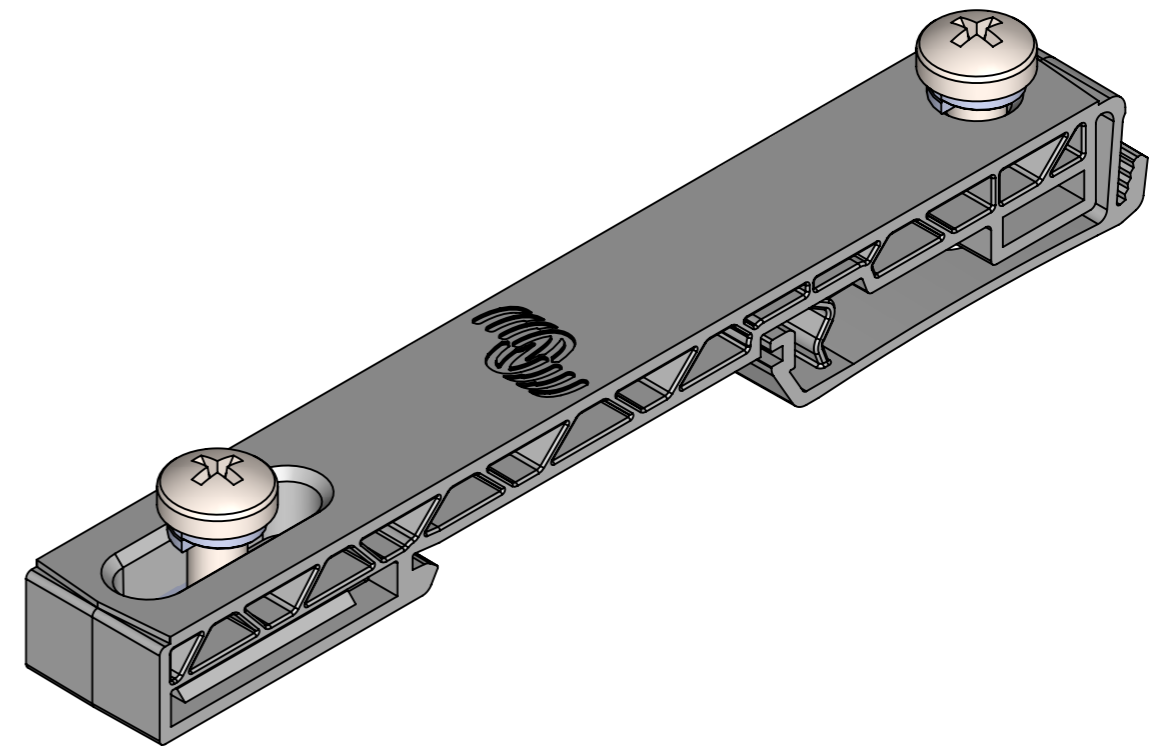
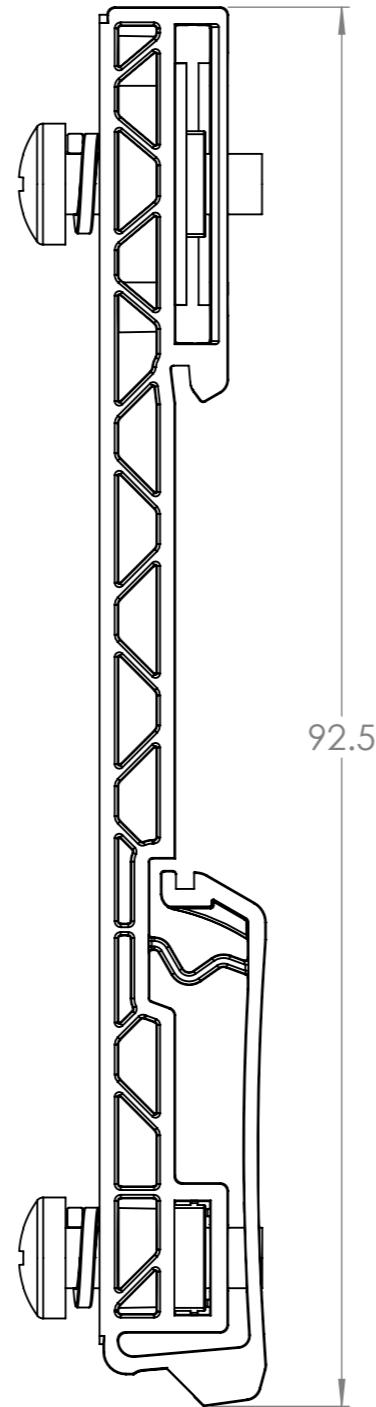
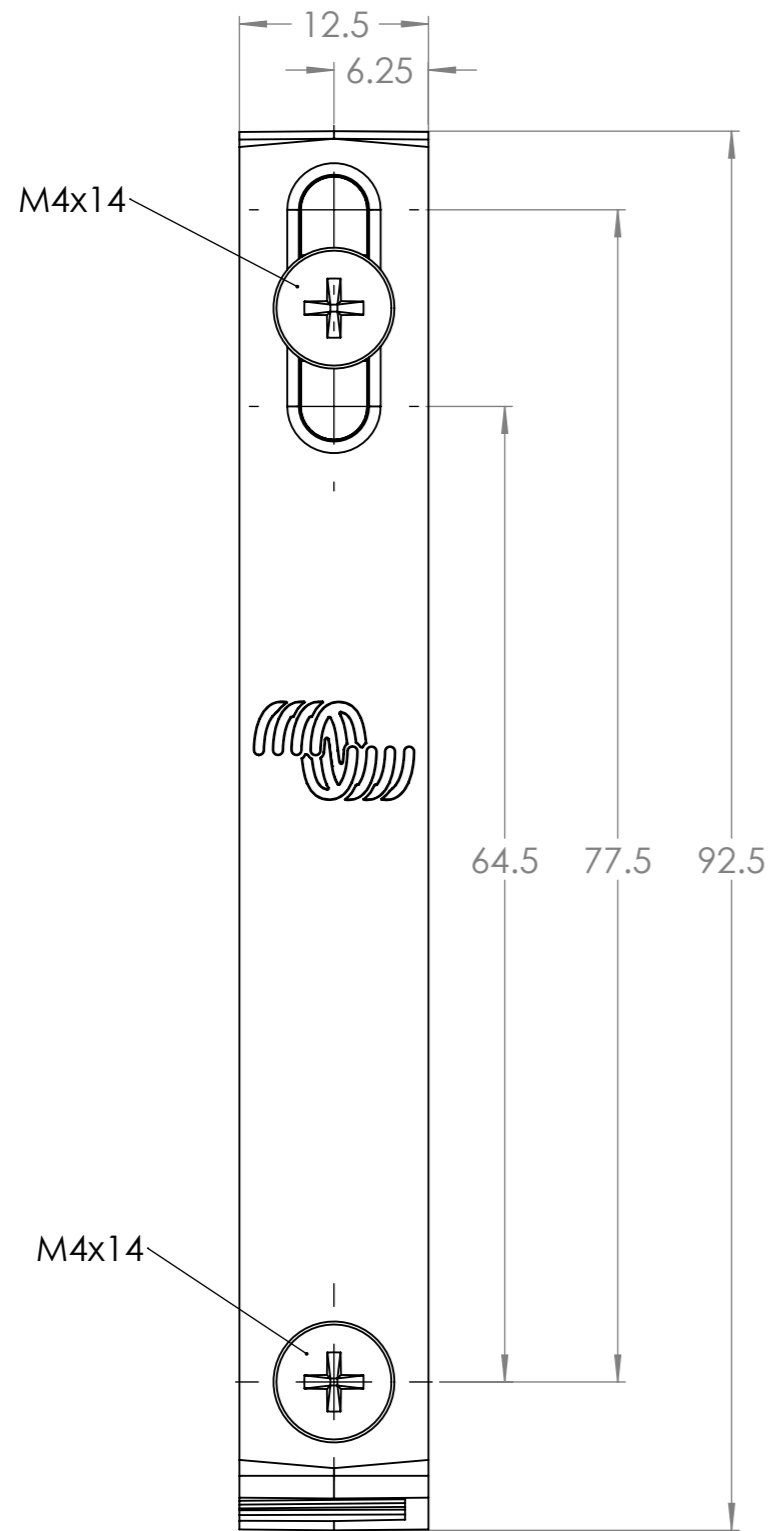


Dimension Drawing - DIN 35 adapter

ADA500140100

DIN35 adapter medium (2 pcs)



Dimensions in mm



**victron energy**  
BLUE POWER