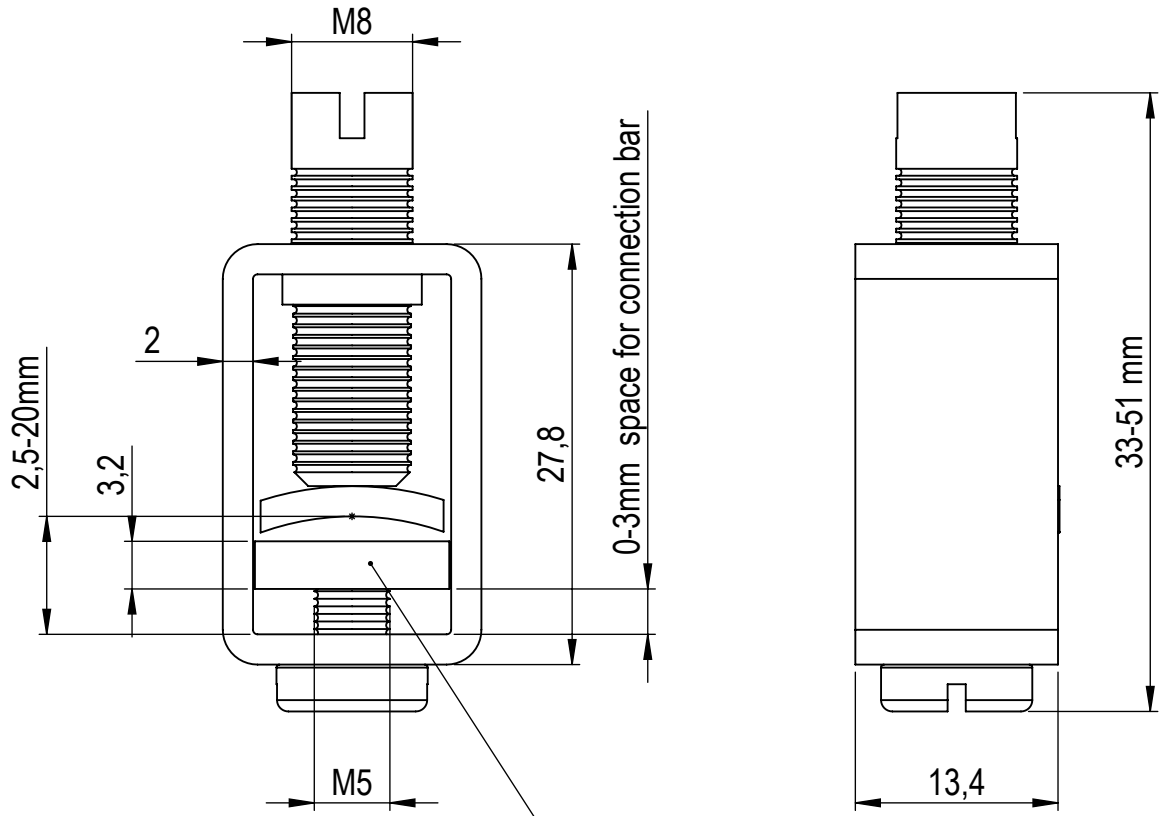
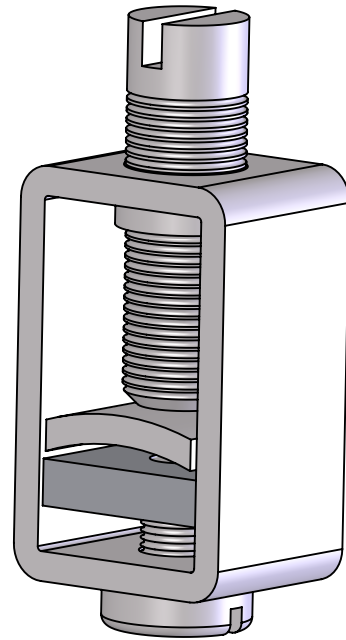
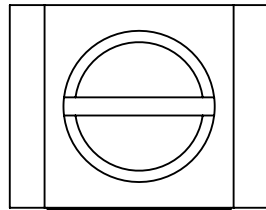


Copying of this document, and giving it to others and the use or communication of the contents thereof, are forbidden without express authority. Offenders are liable to the payment of damages. All rights are reserved in the event of the grant of a patent or the registration of a utility model or design.



Tin Electroplated copper plate with threads



All material except for the copper plate  
-Zinc electro plated steel

Product name

**Box Terminal Assy**



**EMCOMP**

Prepared: Marten K Date: 2015-02-05

Tolerances: - Weight: -

Scale: 2:1 Format: A4 Sheet: 1/1

Product number

**4190131**

Rev

**A**