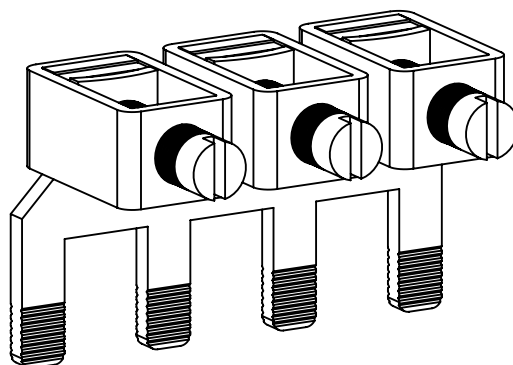
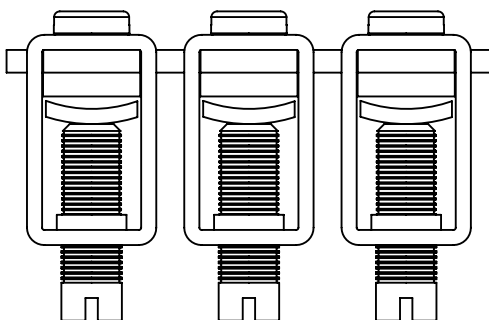


Copying of this document, and giving it to others and the use or communication of the contents thereof, are forbidden without express authority. Offenders are liable to the payment of damages. All rights are reserved in the event of the grant of a patent or the registration of a utility model or design.



Product No.	Item No 1	Item No 2	Treatment copper part
EC12205-1	1-EC12205-1	4190131	None
EC12205-10	1-EC12205-10	4190131	Tin electro plating 8µm

Product name



**Bridging Bar  
4P-19,5 3pcs BT**



**EMCOMP**

Prepared: Marten K Date: 2015-03-12

Tolerances: - Weight: 141.3 g

Scale: 1:1 Format: A4 Sheet: 1/1

Product number: EC12205-1 Rev: B