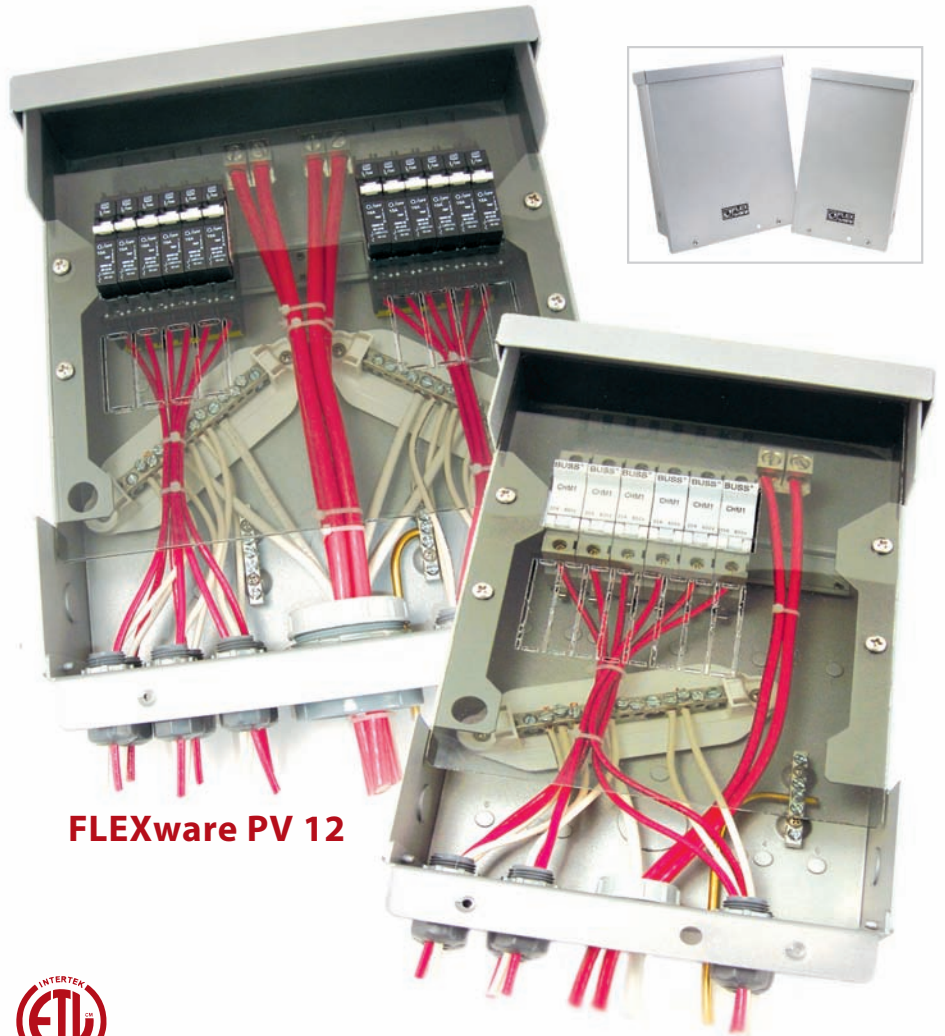




FLEXware™ PV

Advanced Photovoltaic Combiner

- Combine Multiple Strings from a Single Array
- Outdoor Rain-Resistant Aluminum Enclosure
- Optimized Wire Routing For Easy Installation
- Tinted Flame-Retardant Polycarbonate Deadfront Panel
- Generous Wiring Conduit Knockouts
- Wall, Roof or Pole Mountable
- Accommodates dual 2/0 AWG output wiring
- Accommodates 150VDC DC Breakers or 600 VDC Fuses



FLEXware PV 12

FLEXware PV 8



The OutBack Power Systems FLEXware PV Series Combiner Box sets the new standard for PV balance-of-system hardware. Ideal for both small or large systems, the FLEXware PV8 and FLEXware PV12 accommodates the overcurrent protection requirements of your application. From 150VDC breakers for low voltage PV systems, to 600VDC fuse holders for high voltage PV systems, the FLEXware PV Combiner series handles it all.

Designed to survive in outdoor environments, the rainproof, UL type 3R powder coated aluminum chassis can be mounted on a wall, sloped roof or pole. The unique

angled negative terminal bus bar design makes wiring fast and easy without the common problem of larger output conductors blocking access to the smaller input terminals. Dual output lug terminals are included for up to 2/0 AWG conductors. The tinted flame-retardant polycarbonate deadfront panel creates a clean appearance while preventing accidental contact with the live terminals and is easily removable during installation.

The FLEXware PV Series Combiner Box makes it easy to take your installation to the next level.

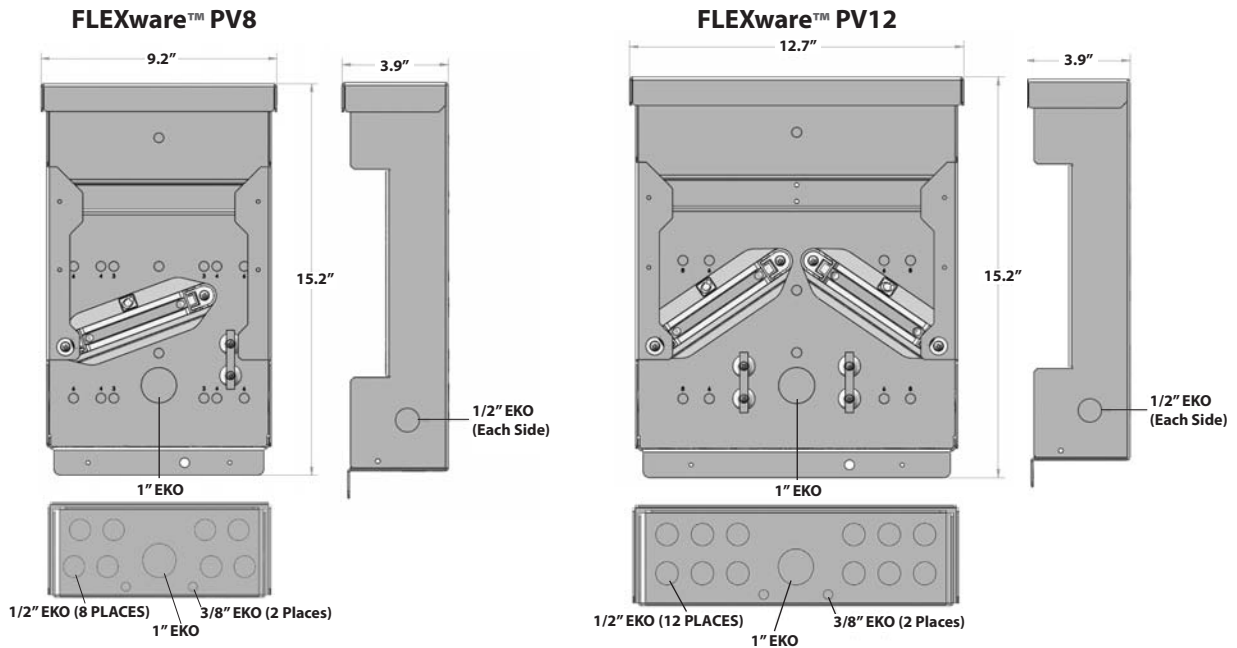


www.outbackpower.com

FLEXware™ PV Specifications

	FWPV-8	FWPV-12
Enclosure Material	Powder coated aluminum with stainless steel hardware	Powder coated aluminum with stainless steel hardware
Mounting Options	Vertical wall mount, pole mount or sloped roof mount to 14 degrees incline (3 in 12 roof pitch)	Vertical wall mount, pole mount or sloped roof mount to 14 degrees incline (3 in 12 roof pitch)
Enclosure Rating	Outdoor Rainproof, UL Type 3R	Outdoor Rainproof, UL Type 3R
Enclosure Security	Padlock hole in chassis and cover for up to 3/8 inch pad lock	Padlock hole in chassis and cover for up to 3/8 inch pad lock
Output Terminals	#14 - 2/0 AWG (2.08 - 67.43 mm ²) Two box lug terminals included	#14 - 2/0 AWG (2.08 - 67.43 mm ²) Four box lug terminals included
Number of separate circuits	One Circuit	One or Two Circuits
Number of 150VDC breakers	up to 8	up to 12 (two groups of six)
Number of 600VDC fuse holders	up to 6	up to 8 (two groups of four)
Input Terminal	150VDC Breakers / #14 - 6 AWG (2.08 - 13.3 mm ²) 600VDC Fuse / #14 - 10 AWG (2.08 - 5.26 mm ²)	150VDC Breakers / #14 - 6 AWG (2.08 - 13.3 mm ²) 600VDC Fuse / #14 - 10 AWG (2.08 - 5.26 mm ²)
Dimensions	Unit (H x W x D) 15.2 x 9.2 x 3.9" (38.7 x 23.3 x 9.9 cm) Shipping (H x W x L) 4.3 x 9.5 x 19" (10.9 x 24.1 x 48.3 cm)	Unit (H x W x D) 15.2 x 12.7 x 3.9" (38.7 x 32.2 x 9.9 cm) Shipping (H x W x L) 4.3 x 13 x 19" (10.9 x 33 x 48.3 cm)
Weight	Unit 4.4 lbs (2.0 kg) Shipping 5.5 lbs (2.5 kg)	Unit 5.9 lbs (2.7 kg) Shipping 7.4 lbs (3.3 kg)
Certifications	ETL Listed to UL1741, UL67, CSA22.2 #29	ETL Listed to UL1741, UL67, CSA22.2 #29

*Specifications subject to change without notice



Available From:



Main Office:
19009 62nd Avenue NE
Arlington, WA 98223 USA
Phone: (360) 435.6030
Fax: (360) 435.6019

European Office:
BARCELONA, España
Phone: +34.93.654.9568

www.outbackpower.com

980-0015-01-00 REV B