



EP2000 & B700 Whole-House ESS

Secure Home Power, Save on Bills



10,5 kW-20 kW | 14,7 kWh-51,6 kWh | Three-Phase | On-Grid / Off-Grid

EP2000 Whole-House ESS

Accelerate home energy transition with ease.

EP2000
Hybrid Inverter

HV800
Voltage Controller

B700
Expansion Battery

B700
Expansion Battery

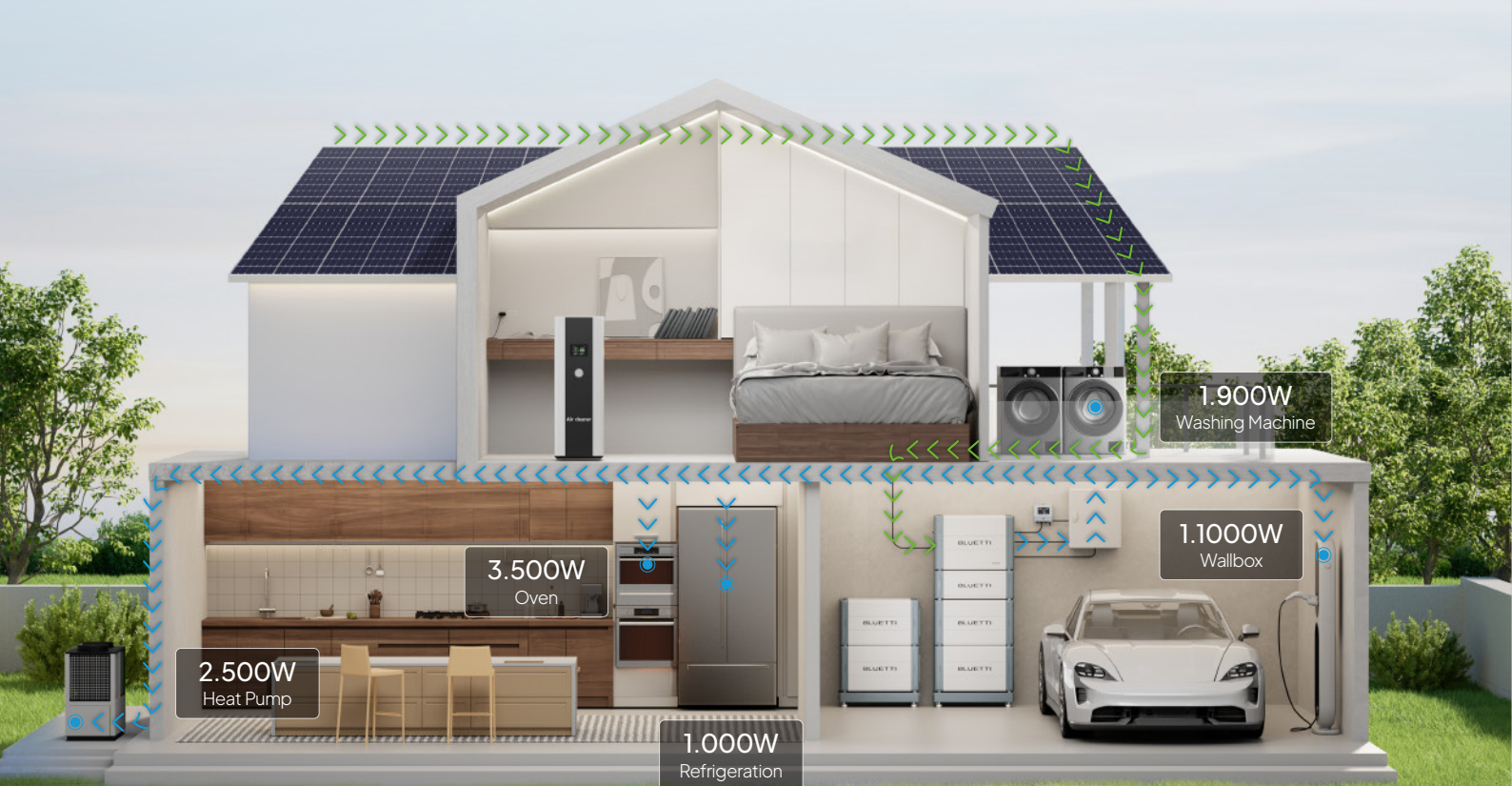


EP2000 and B700 energy storage system is BLUETTI's latest powerhouse integrating a hybrid solar inverter with a high-capacity energy storage battery. This all-in-one solution is tailor-made for villas, large standalone houses, small businesses, farms, and other high-power-demand situations.

With an outstanding 20 kW AC output and a 30 kW PV input, the EP2000 ESS maximizes solar energy utilization, effortlessly powering whole-house appliances, including EV and heat pumps.

Enjoy unrivaled energy independence and significant savings on electricity bills with minimal upfront investment.

One Powers All





Why Choose BLUETTI EP2000 ESS

Higher ROI



- Achieve 100% energy self-sufficiency with up to 20 kW power output and 30 kW PV input. Invest one BLUETTI ESS, and get the same returns that require two units from other brands.
- Up to 97.6% Efficiency: The high voltage system ensures an impressive inverter efficiency, maximizing energy conversion and reducing waste.

More Powerful & Flexible Energy Solution



- Power whole house with 10,5 kW / 15,5 kW / 20 kW optional output power and 14,7 kWh–51,6 kWh expandable capacity.
- Parallel connection with up to 3 EP2000 units for max. 60 kW output and 154,8 kWh capacity. Customize based on residential or commercial needs without paying for unnecessary capacity.

Time-Saving & Hassle-Free



- All-in-One: Combines a hybrid solar inverter and energy storage system for seamless operation and stability.
- Modular: Easy to expand, transport, and install with a plug-and-play feature, enhancing installation efficiency by 50% compared to the previous generation.

Universal Compatibility



- Whether you have an existing solar rooftop or plan to install a new one, the EP2000 ESS offers excellent compatibility to integrate with any setup.

More Features



- 10-Year Warranty
- Safest LFP Batteries
- Elegant Appearance
- Smart App Control
- Seamless Backup Switch in 10ms
- IP65 Protection Rating

Power for Every Scenario

EP2000 Inverter + HV800 Voltage Controller	B700	Rated Output Power / kW (on / off grid)	Capacity / kWh
1	2	10,5	14,7
	3	15,5	22,1
	4	20	29,49
	5		36,86
	6		44,2
	7		51,6
2*	4-14	40 Max.	103,2 Max.
3*	6-21	60 Max.	154,8 Max.

*The parallel connection is expected to be available in Q4 2024.



4 APP Working Modes

Power Intelligence at Your Fingertips



Self-Consumption

Perfect for sunny areas with high electricity costs.

24/7

Backup

Providing uninterrupted power supply for areas with unreliable grids.



Time of Use

Great for stable grids with big price differences between peak and off-peak times.

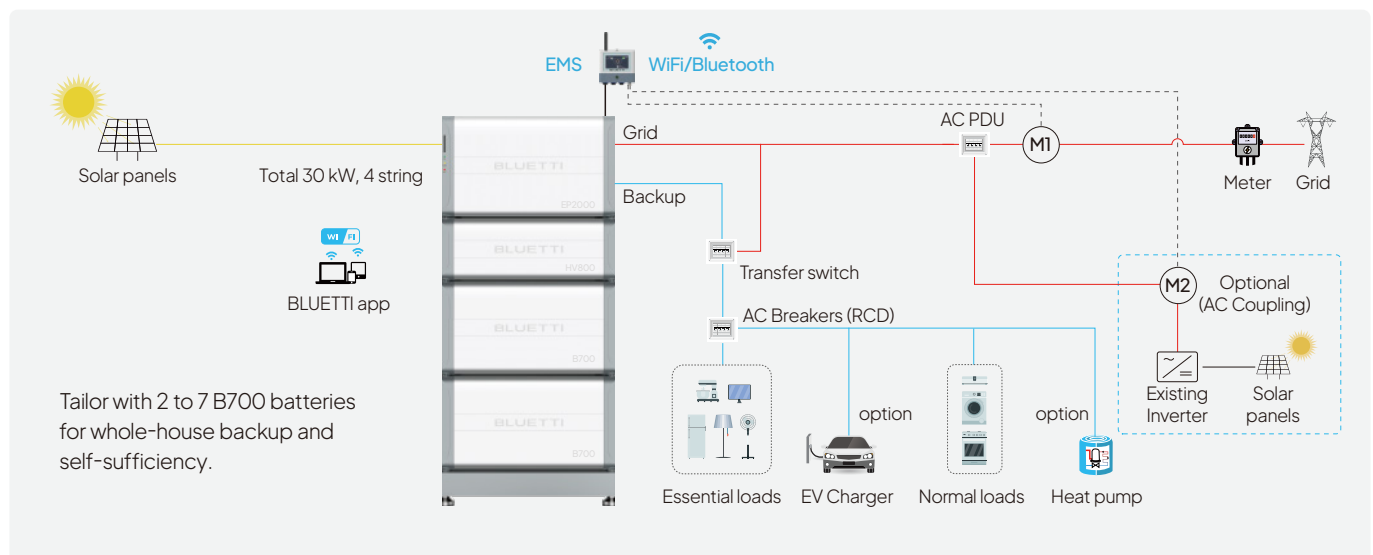


Custom Mode

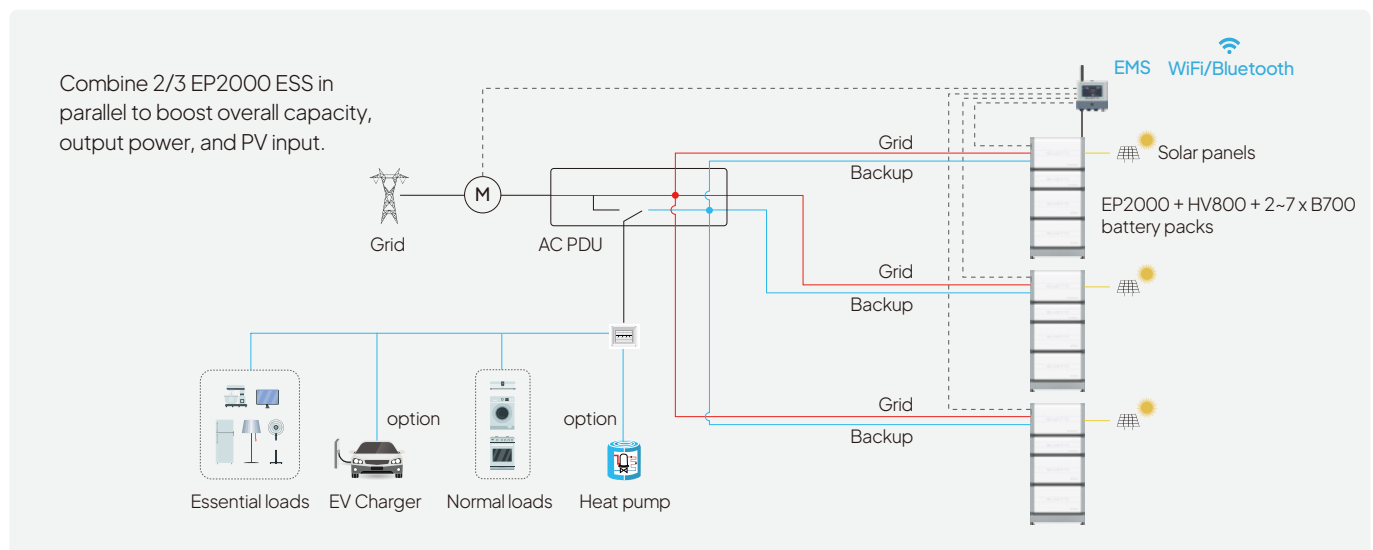
Get tailored solutions with the BLUETTI app.

How it Works

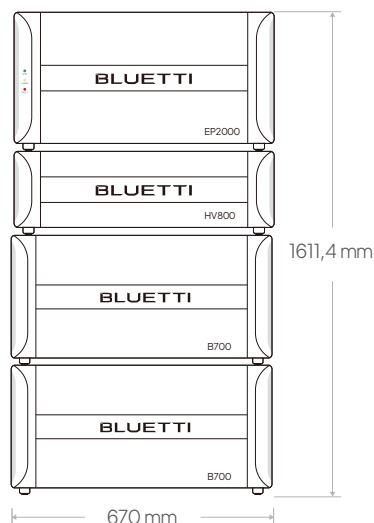
One EP2000 ESS for Whole-House Usage



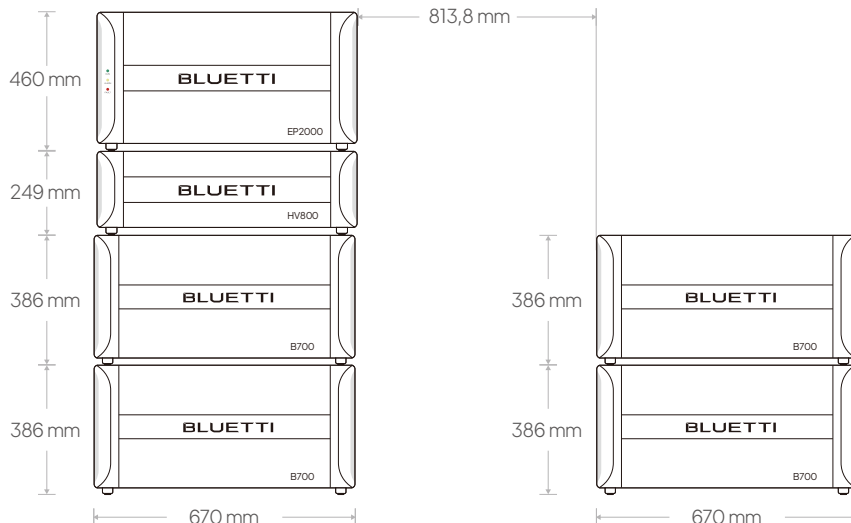
Parallel Connection for Small Businesses



1 x EP2000 + HV800 + 2 x B700



1 x EP2000 + HV800 + 4 x B700



EP2000 Hybrid Inverter

General

Operating Temperature	-20°C to 60°C
Noise	≤50dB
Net Weight	60 kg
Cooling	Forced Air Cooling
Connectivity	USB / Wi-Fi / Bluetooth
Protection Rating	IP65
Input Apparent Power (Bypass + Charging)	40 kVA Max.

PV INPUT

Power	30 kW Max.
MPPT Voltage Range / Rated Voltage	160 V-850 V / 500 V
MPPT Channel / Strings per MPPT	2 / 2
Single MPPT Input Current	15 A
Single MPPT Short Circuit Current	20 A
VOC of Solar Strings	250V-850V

Compliances

Grid Connections**	Germany: VDE-AR-N 4105:2018, DIN VDE V0124-100:2020, Austria: TOR Erzeuger Type A version 1.2, 18 April 2022 Australia: AS / NZS 4777.2:2020 Amd 1:2021
--------------------	--

Safety	IEC 62109-1, IEC 62109-2, EN 62109-1, EN 62109-2
--------	--

Warranty	10 Years
Dimensions (L x W x H)	670 mm x 280 mm x 460 mm
Input Frequency	50 Hz
Switch Over Time to Backup Power	<10 ms
Phase	3L / N / PE

AC OUTPUT (BACKUP)

Rated Power	10,5 kW with 2 B700 15,5 kW with 3 B700 20 kW with 4-7 B700
Rated Voltage	230 / 400 VAC
Frequency	50 Hz

HV800 Voltage Controller

General

Expandability	2-7 B700 Batteries
Voltage Range	130 V-784 V
Max. Current	70 A Max.
Net Weight	19 kg

Compliances

Safety	IEC 62619, EN 62619, VDE-AR-E 2510-50, UN38.3
--------	---

Dimensions (L x W x H)	670 mm x 280 mm x 249 mm
Noise	<25dB
Warranty	10 Years

Emissions	EN IEC 61000-6-3, EN IEC 61000-6-1
RoHS	2011/65/EU and (EU) 2015/863

B700 Battery

General

Battery Chemistry	LiFePO ₄
Capacity	7372.8 Wh
Protection Grade	IP65
Net Weight	72kg
Dimensions	670 mm x 280 mm x 386 mm

Compliances

Same as HV800

** Specifications subject to change without further notice.



Contact Us