

Qty.	Description
------	-------------

1

SQF 7-55



Note! Product picture may differ from actual product

Product No.: [99595409](#)

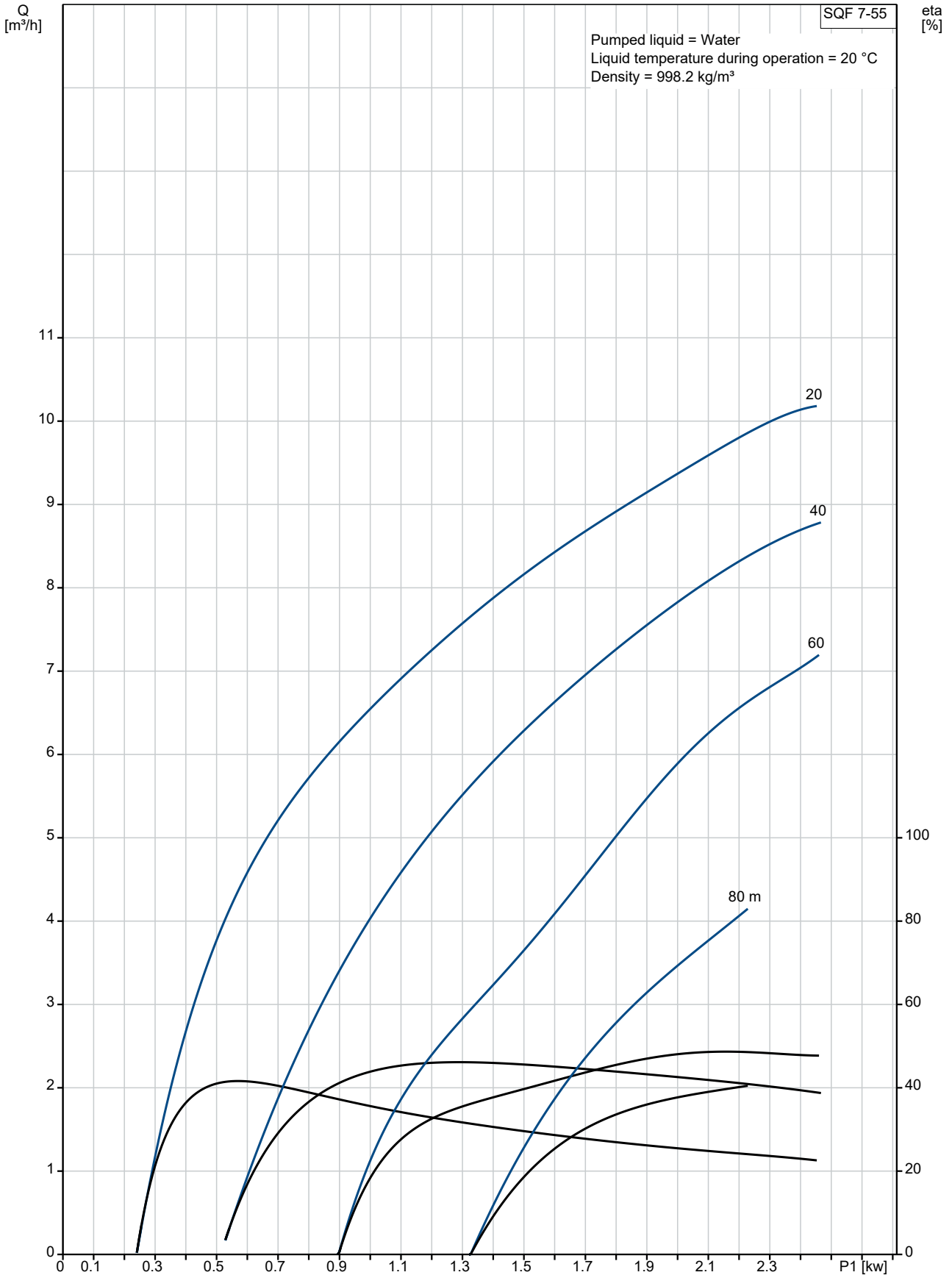
The 3" SQFlex centrifugal pump is for medium heads and flow rates.

The SQFlex system is a reliable water supply system based on renewable energy sources, such as solar and wind energy.

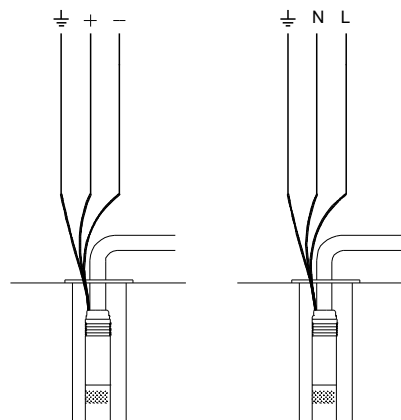
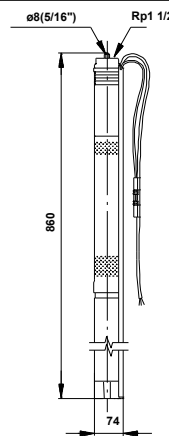
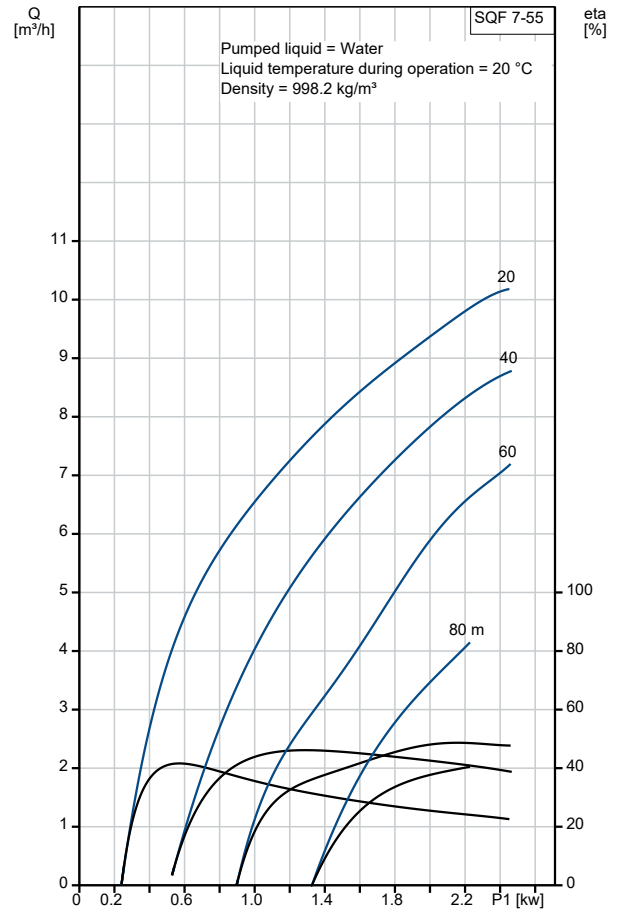
Thanks to its flexible energy supply and performance, the SQFlex system can be combined and adapted to meet any need on the installation site.

The SQFlex system has a wide voltage range, built-in maximum power point tracking (MPPT) as well as dry-running, voltage and overload protection.

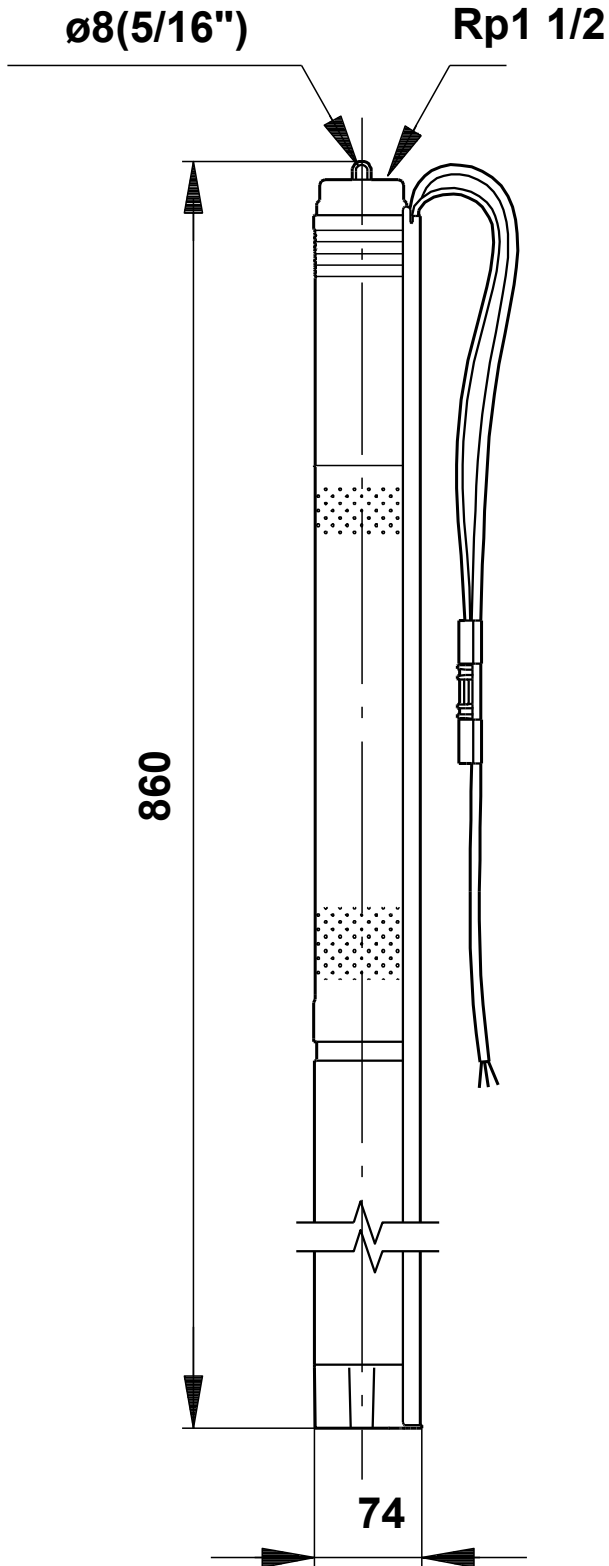
## 99595409 SQF 7-55



Description	Value
<b>General information:</b>	
Product name:	SQF 7-55
Product No:	99595409
EAN number:	5713831625667
<b>Technical:</b>	
Stages:	4
Approvals:	UKCA,CE,EAC,CN RoHS Exempt,Morocco, Sepro
Pump No:	99595337
Valve:	pump with built-in non-return valve
Zinc Anodes:	NO
<b>Materials:</b>	
Pump:	Stainless steel
Pump:	DIN W.-Nr. 1.4301
Pump:	AISI 304
Impeller:	Polyamide
Impeller:	DIN W.-Nr. 1.4301
Impeller:	AISI 304
<b>Installation:</b>	
Maximum ambient pressure:	15 bar
Pump outlet:	Rp 1 1/2
Minimum borehole diameter:	76 mm
<b>Liquid:</b>	
Pumped liquid:	Water
Liquid max temp:	40 °C
Selected liquid temperature:	20 °C
Density:	998.2 kg/m <sup>3</sup>
<b>Electrical data:</b>	
Motor type:	MSF3
Power input - P1:	2.5 kW
Rated voltage ac:	1 x 90-240 V
Rated voltage dc:	100-300 V
Rated current:	12.5 A
Power factor:	1.0
Rated speed:	10700 rpm
Start. method:	direct-on-line
Enclosure class (IEC 34-5):	IP68
Insulation class (IEC 85):	F
Built-in motor protection:	Y
Thermal protec:	internal
Length of cable:	2 m
Motor No:	99464900
Udc:	300 V
Udc:	100 V
<b>Others:</b>	
Minimum efficiency index, MEI ≥:	---
Net weight:	6.6 kg
Gross weight:	7.3 kg
Shipping volume:	0.011 m <sup>3</sup>
Sales region:	Europe/South America/Japan

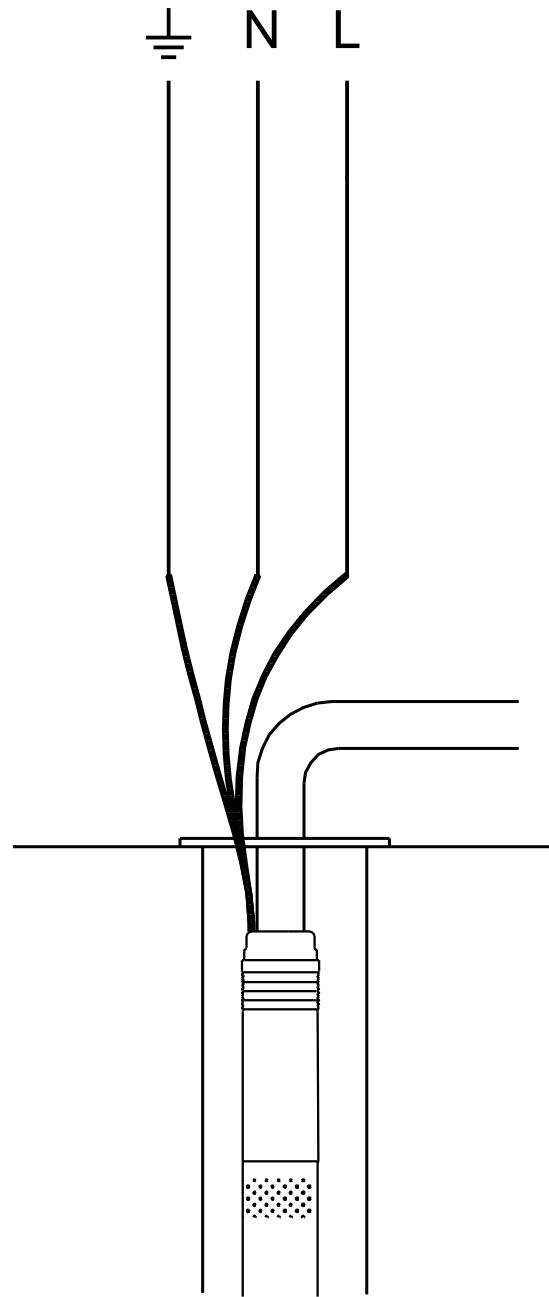
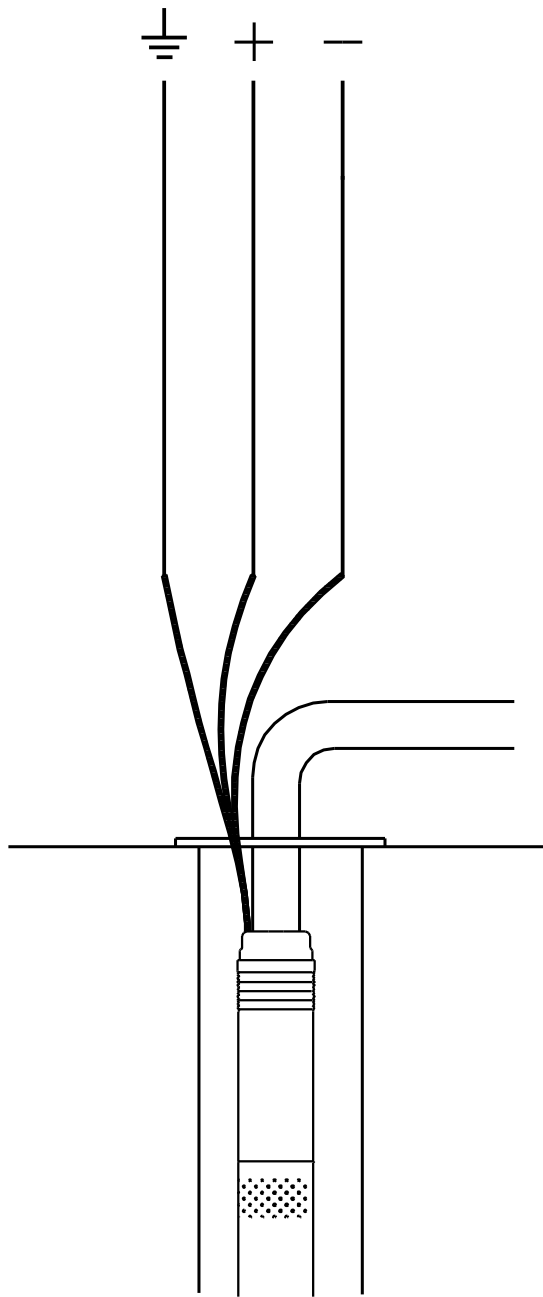


**99595409 SQF 7-55**



Note! All units are in [mm] unless others are stated.  
Disclaimer: This simplified dimensional drawing does not show all details.

## 99595409 SQF 7-55



Note! All units are in [mm] unless others are stated.