

# MICROLUX / SUPERLUX



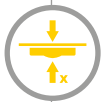
354 & 624 lumens; over 170 & 300 lux @ 1 metre



Multi-voltage (10-32V)



Robust construction with unique impact deflection design



Low profile design - only 15mm



Waterproof to IP67



E-type approved



MICROLUX (SI3\_2-1MV)

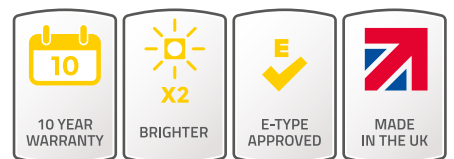


SUPERLUX (SI3\_2-3MV)

TECHNICAL SPECS OVERLEAF  MAY 2017



DESIGNED FOR MULTI-SECTOR APPLICATIONS



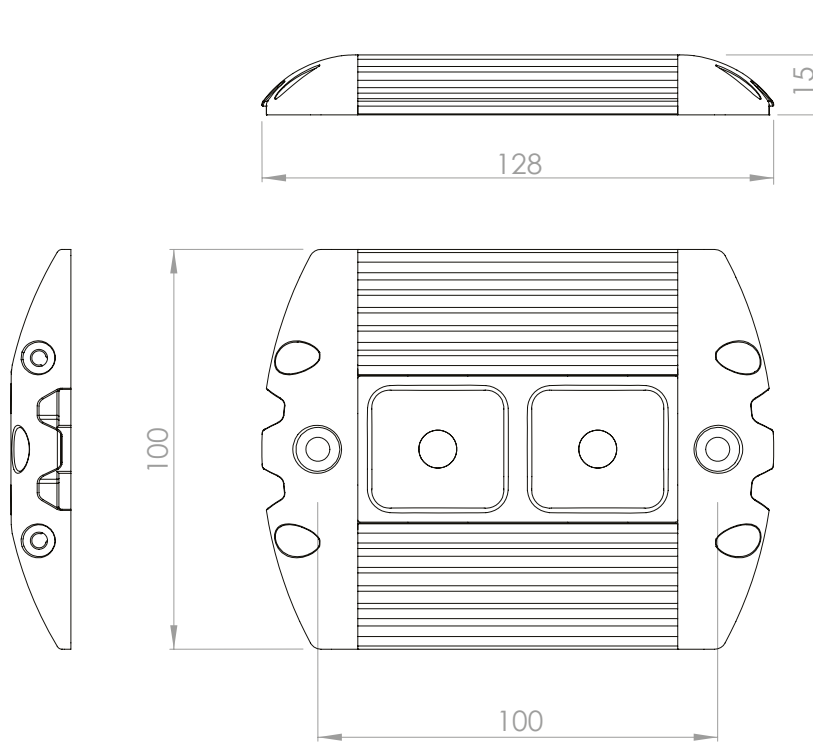
# MICROLUX / SUPERLUX

**Long life, high intensity Cree LEDs** - The Microlux will give you 354 lumens of clean white light and creates a safe working environment. The Superlux is even brighter at 624 lumens.

**Multi-voltage (10-32V)** - Engineered to suit a broad range of vehicles and their voltages, the circuitry can withstand changes in voltage and will provide a constant light output.

**Waterproof to IP67** - Both units are suitable for installation in a variety of environments, including refrigerated vehicles.

**Easy to install low profile design** - At just 15mm deep, this light can be fitted in a multitude of applications.



SPECIFICATION		ALL DIMENSIONS HAVE A TOLERANCE OF +/-1mm			
		SI3_2-1 MV (12V)	SI3_2-3 MV (12V)	SI3_2-1 MV (24V)	SI3_2-3 MV (24V)
Voltage Range	VDC	10-32V	10-32V	10-32V	10-32V
Average Current	A	0.22	0.45	0.12	0.24
Light Output	lm	354	624	354	624
Watts	W	2.7W	6W	2.7W	6W
Weight	kg	0.165	0.165	0.165	0.165
Temp. Range	°C	-30 to +40	-30 to +40	-30 to +40	-30 to +40
IP Rating	IP	IP67	IP67	IP67	IP67

E & OE

