

MULTICLUSTER-BOXES FOR SUNNY ISLAND

MC-BOX-6.3-11 / MC-BOX-36.3-11 / MC-BOX-12.3-20 / GRID-BOX-12.3-20



Flexible

- Capacities from 20 kW to 300 kW
- For stand-alone grids and battery-backup systems*

Simple

- Integrated AC distribution for Sunny Island, generator, PV
- Integrated load-shedding contactor

Safe

- Automatic bypass for the generator
- Active anti-islanding
- Reverse current monitoring

Robust

- High protection classes
- 5-year SMA warranty

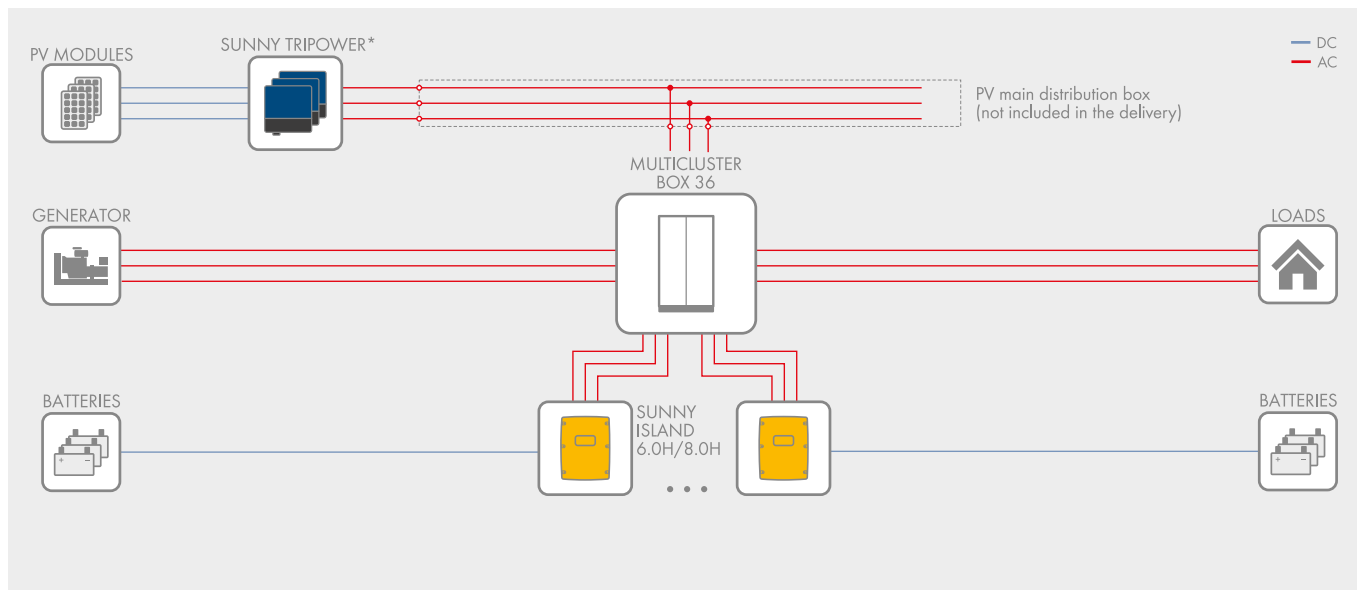
Multicenter-Boxes for SUNNY ISLAND

Easy setup of powerful off-grid systems

With the SMA Multicenter-Boxes for Sunny Island battery inverters, both off-grid systems and battery-backup systems* can be configured easily and cost-efficiently. In regions without grid access, based on proven technology, powerful off-grid and hybrid systems with 2 to 12 three-phase clusters, each consisting of 3 Sunny Island inverters of up to 360 kilowatts of output capacity can be installed.

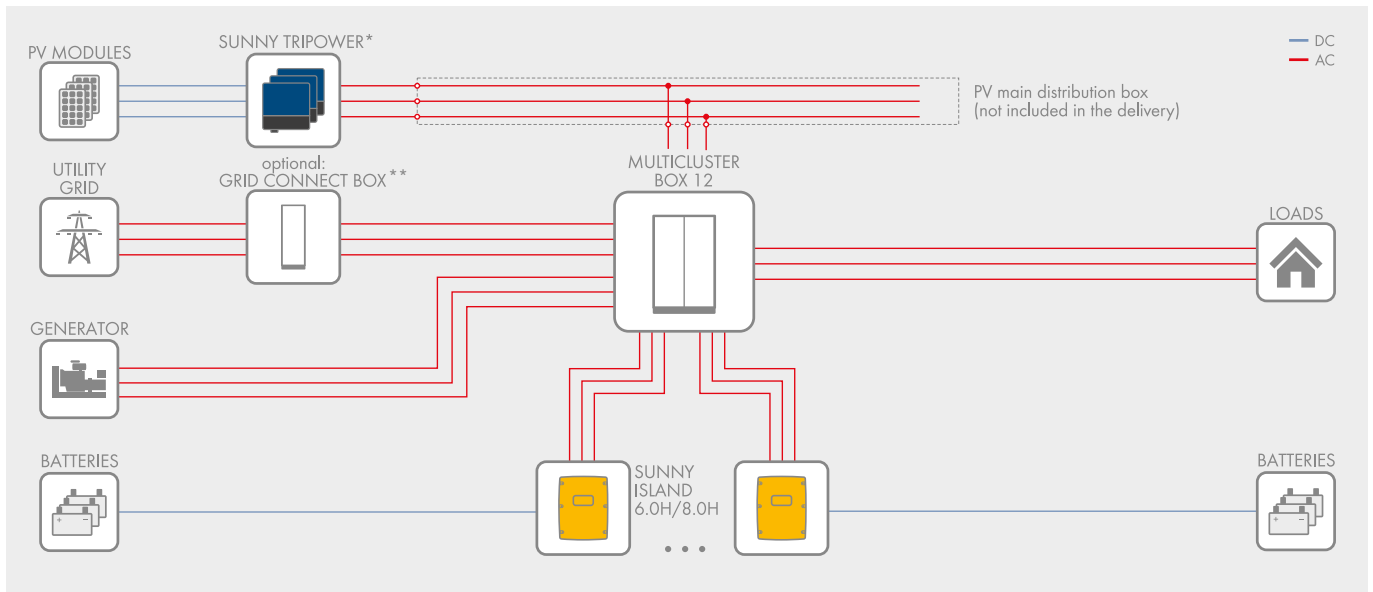
For systems connected to the utility grid, battery-backup systems* with up to 138 kWp can be set up. To simplify installation, all Multicenter-Boxes are completely wired at the factory and have a dedicated connection interface for generator sets, the load distribution and renewable energy systems. The Multicenter-Boxes are ideal for use in businesses and to supply electricity to rural regions – with or without grid access.

* On-Grid Multicenter systems with self-consumption at the grid connection point are not permitted in Europe and Australia. However, standard battery-backup systems and the grid operating mode as generator are possible because in both cases the battery can only be charged in parallel grid operation.



Technical Data	Multicenter-Box 6	Multicenter-Box 36
Load connection		
Rated voltage	230 V (L, N), 400 V (L1, L2)	230 V (L, N), 400 V (L1, L2)
AC voltage range	172.5 V to 250 V 300 V to 433 V	172.5 V to 250 V 300 V to 433 V
Rated frequency / frequency range	50 Hz / 40 Hz to 70 Hz	50 Hz / 40 Hz to 70 Hz
Number of connections	1 x 3-phase	1 x 3-phase
Rated power	55 kW	300 kW
AC current at rated values	3 x 80 A (AC1)	3 x 435 A (AC1)
Fuses	NH00	NH3
Sunny Island connections		
Maximum number of devices	6	36
AC rated power / AC current at rated values	36 kW / 3 x 52 A	216 kW / 3 x 313 A
AC power at 45 °C / AC current at 45 °C	32 kW / 3 x 46 A	195 kW / 3 x 283 A
AC power (25 °C, 30 min)	48 kW	288 kW
AC power (25 °C, 5 min)	55 kW	328 kW
Fuses	6 x circuit breaker C40 A	36 x circuit breaker C40 A
Generator connection		
Number of connections	1 x 3-phase	1 x 3-phase
Rated grid input power	55 kW	300 kW
AC input current	3 x 80 A	3 x 435 A (AC1)
Fuses	NH00	NH3
PV system connection		
Number of connections	1 x 3-phase	1 x 3-phase
PV rated power	55 kW	360 kW
AC current at rated values	3 x 80 A	3 x 522 A (AC1)
Fuses	–	–
General data		
Number of phases	3-phase	3-phase
Permitted grid configuration	TN-S	TN-S
Dimensions (W / H / D)	760 / 760 / 210 mm	1200 / 2000 / 800 mm
Mounting type	Suspended	Base mounted
Weight	55 kg	400 kg
Ambient temperature	-25 °C to +50 °C	-25 °C to +60 °C
Degree of protection (as per IEC 60529)	IP65	IP54
Maximum permissible value for relative humidity (non-condensing)	0% to 100%	0% to 100%
Max. installation altitude above MSL ≤ 2000 m	●	●
Warranty (5 years)	●	●
Data cables	●	●
Certificates	CE	CE
● Standard feature ○ Optional feature – Not available		
Type designation	MC-Box-6.3-11	MC-Box-36.3-11

*Also possible with Sunny Boy



Technical Data	Multicuster-Box 12	Grid-Connect-Box 12
Connection of loads to MC-Box 12 / Connection of Grid-Box 12 to utility grid**		
Rated voltage	230 V (L, N), 400 V (L1, L2)	230 V (L, N), 400 V (L1, L2)
AC voltage range	172.5 V to 265 V 300 V to 433 V	172.5 V to 265 V 300 V to 433 V
Rated frequency / frequency range	50 Hz, 60 Hz / 45 Hz to 65 Hz	50 Hz, 60 Hz / 45 Hz bis 65 Hz
Number of connections	1 x 3-phase	1 x 3-phase
Rated power	138 kW	138 kW
AC current at rated values	3 x 200 A (AC1)	3 x 200 A (AC1)
Fuses	NH1	NH1 (200 A)
Sunny Island connections		
Maximum number of devices	12	–
AC rated power / AC current at rated values	72 kW / 12 x 26 A	–
AC power at 45 °C / AC current at 45 °C	65 kW / 3 x 94 A	–
AC power (25 °C, 30 min)	96 kW	–
AC power (25 °C, 5 min)	110 kW	–
Fuses	12 x circuit breaker C40A	–
Generator connection		
Number of connections	1 x 3-phase	–
Rated grid input power	138 kW	–
AC input current	3 x 200 A	–
Fuses	NH1	–
PV system connection		
Number of connections	1 x 3-phase	–
PV rated power	138 kW	–
AC current at rated values	3 x 200 A	–
Fuses	–	–
General data		
Number of phases	3-phase	3-phase
Permitted grid configuration	TN-S, TN-C-S and TT	TN-S, TN-C-S and TT
Dimensions (W / H / D)	1200 / 1600 / 435 mm	600 / 1400 / 435 mm
Mounting type	Base mounted	Base mounted
Weight	200 kg	103 kg
Ambient temperature	-25 °C to +60 °C	-25 °C bis +60 °C
Degree of protection (as per IEC 60529)	IP55	IP55
Maximum permissible value for relative humidity (non-condensing)	0% to 100%	0 % bis 100 %
Max. installation altitude above MSL ≤ 2000 m	●	●
Warranty (5 years)	●	●
Data cables	●	●
Certificates	CE	CE
Connection to the utility grid (optimized self-consumption and battery-backup function) GRID-BOX required	●	●
● Standard feature ○ Optional feature – Not available		
Type designation	MC-Box-12.3-20	GRID-BOX-12.3-20

* Also possible with Sunny Boy

** Grid-Connect-Box 12 does not comply with the applicable standards in Europe for connection to the utility grid. In more specific cases in Europe, please contact SMA Solar Technology AG.

