
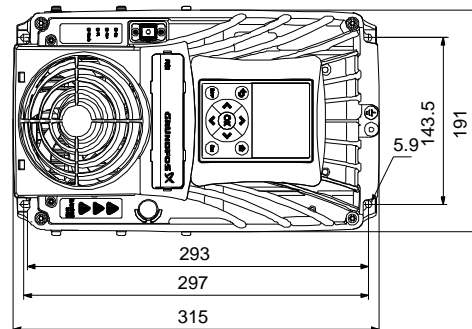
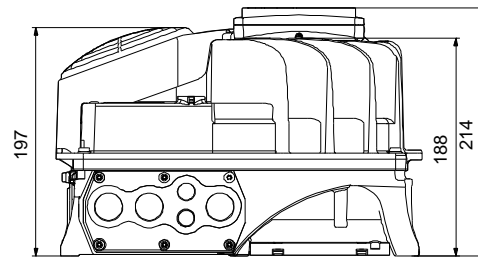
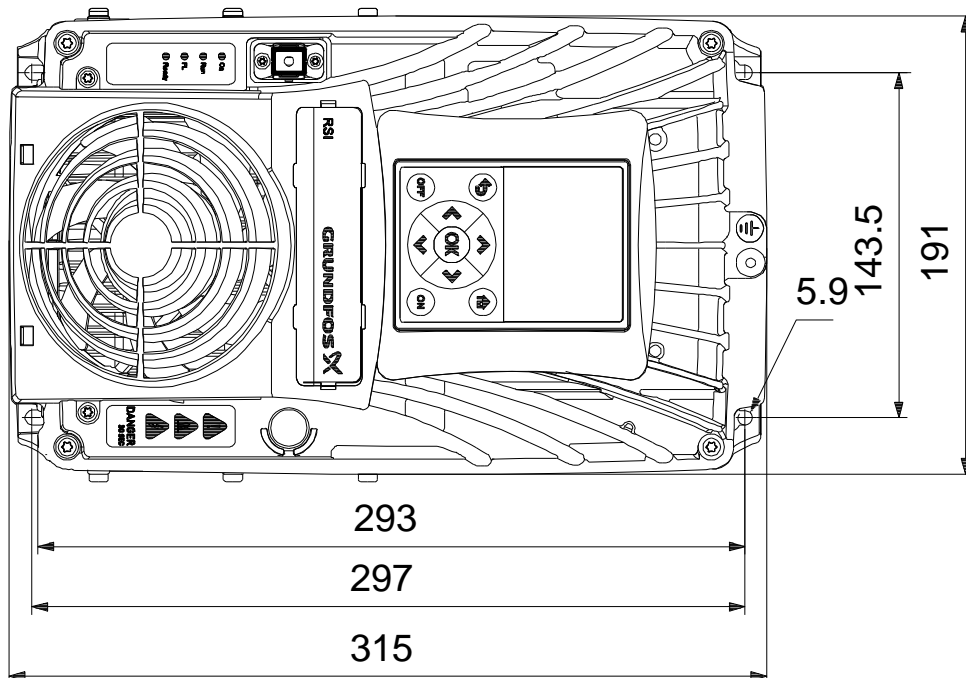
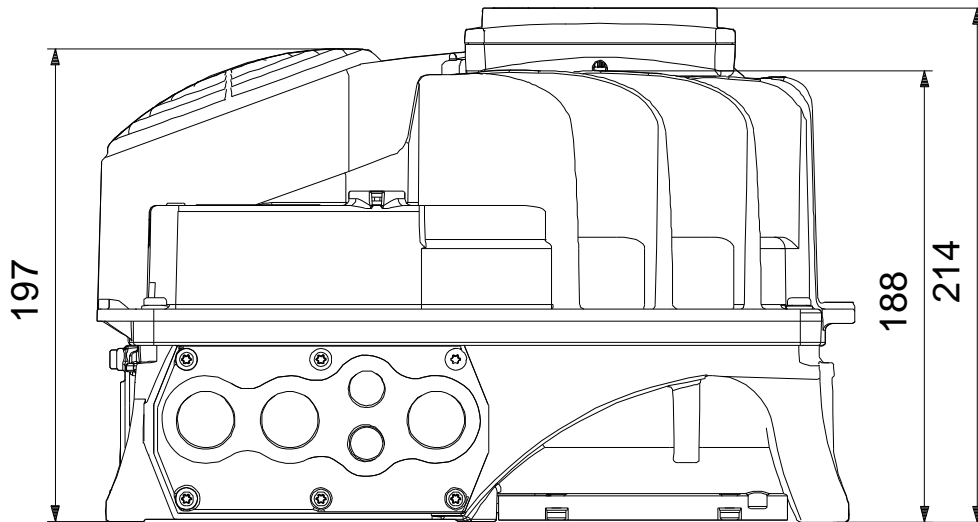


Position	Qty.	Description
	1	<p data-bbox="320 338 643 365">RSI 3x380V IP66 5.5kW 12A</p> <div data-bbox="391 383 627 763" style="text-align: center;">  </div> <p data-bbox="711 748 1193 775" style="text-align: center;">Note! Product picture may differ from actual product</p> <p data-bbox="320 781 584 808">Product No.: 99044351</p> <p data-bbox="320 840 1445 943">Renewable Solar Inverter RSI is a sourced off-grid solar inverter to enable us to expand the family of solar submersible pumping systems. RSI is configured specifically to be compatible with 3 phase 400V SP submersible pumps. With the built-in MPPT and various protection software, it delivers an efficient and reliable renewable system solution.</p> <p data-bbox="320 981 459 1008">Installation:</p> <p data-bbox="320 1012 810 1039">Range of ambient temperature: -10 .. 60 °C</p> <p data-bbox="320 1043 756 1070">Relative humidity: 100 %</p> <p data-bbox="320 1104 496 1131">Electrical data:</p> <p data-bbox="320 1135 762 1162">Rated power - P2: 5.5 kW</p> <p data-bbox="320 1167 699 1193">Phase: 3</p> <p data-bbox="320 1198 735 1225">Enclosure class (IEC 34-5): IP66</p> <p data-bbox="320 1229 751 1256">Vol. output AC: 380 V</p> <p data-bbox="320 1261 751 1288">Vol. input DC: 800 V</p> <p data-bbox="320 1292 735 1319">Curr. Output AC: 12 A</p> <p data-bbox="320 1323 751 1350">Udc: 400 V</p> <p data-bbox="320 1373 408 1400">Others:</p> <p data-bbox="320 1404 751 1431">Net weight: 8.8 kg</p> <p data-bbox="320 1435 751 1462">Gross weight: 9.8 kg</p>

Description	Value
General information:	
Product name:	RSI 3x380V IP66 5.5kW 12A
Product No:	99044351
EAN number:	5712605678663
Installation:	
Range of ambient temperature:	-10 .. 60 °C
Relative humidity:	100 %
Electrical data:	
Rated power - P2:	5.5 kW
Phase:	3
Enclosure class (IEC 34-5):	IP66
Vol. output AC:	380 V
Vol. input DC:	800 V
Curr. Output AC:	12 A
Udc:	400 V
Others:	
Net weight:	8.8 kg
Gross weight:	9.8 kg



99044351 RSI 3x380V IP66 5.5kW 12A 50 Hz



Note! All units are in [mm] unless others are stated.
Disclaimer: This simplified dimensional drawing does not show all details.