
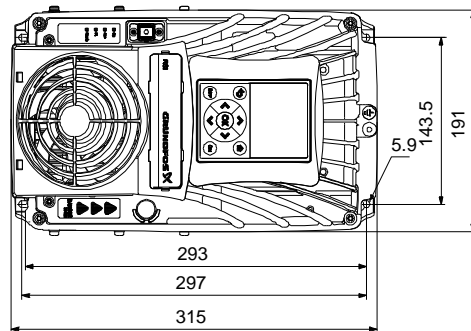
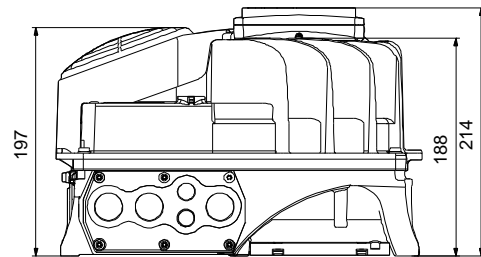
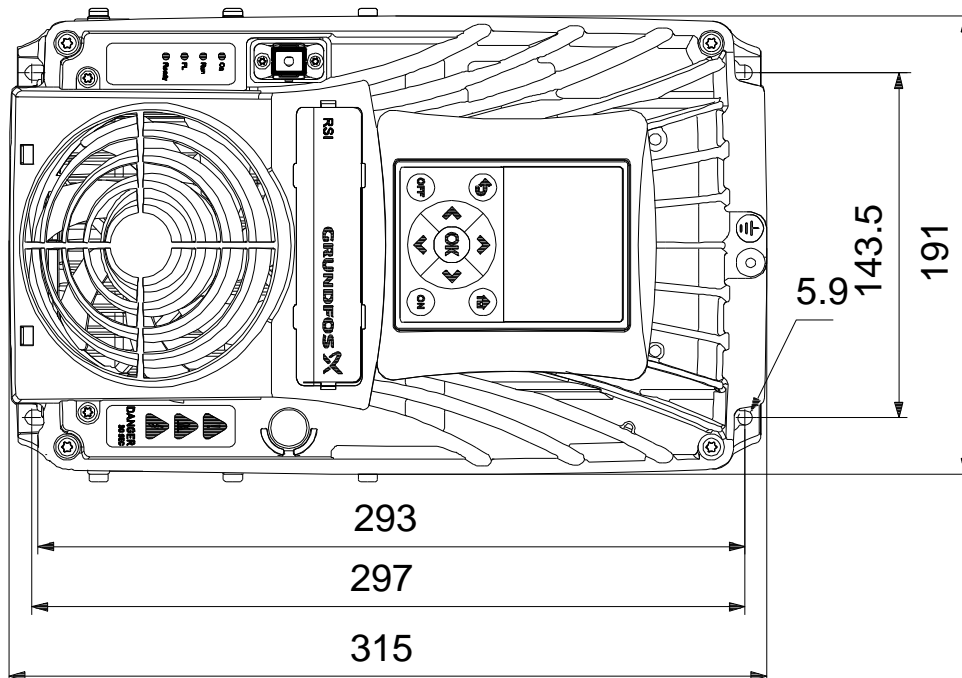
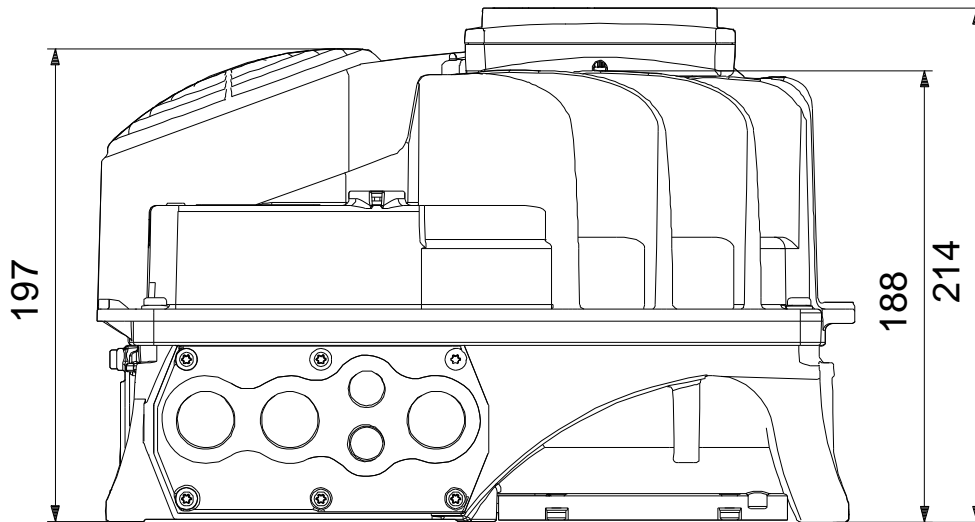


Position	Qty.	Description
	1	<p>RSI 3x380V IP66 4kW 9.6A</p>  <p style="text-align: center;">Note! Product picture may differ from actual product</p> <p>Product No.: 99044350</p> <p>Renewable Solar Inverter RSI is a sourced off-grid solar inverter to enable us to expand the family of solar submersible pumping systems. RSI is configured specifically to be compatible with 3 phase 400V SP submersible pumps. With the built-in MPPT and various protection software, it delivers an efficient and reliable renewable system solution.</p> <p>Installation: Range of ambient temperature: -10 .. 60 °C Relative humidity: 100 %</p> <p>Electrical data: Rated power - P2: 4 kW Phase: 3 Enclosure class (IEC 34-5): IP66 Vol. output AC: 380 V Vol. input DC: 800 V Curr. Output AC: 10 A Udc: 400 V</p> <p>Others: Net weight: 8.8 kg Gross weight: 9.8 kg</p>

Description	Value
General information:	
Product name:	RSI 3x380V IP66 4kW 9.6A
Product No:	99044350
EAN number:	5712605678656
Installation:	
Range of ambient temperature:	-10 .. 60 °C
Relative humidity:	100 %
Electrical data:	
Rated power - P2:	4 kW
Phase:	3
Enclosure class (IEC 34-5):	IP66
Vol. output AC:	380 V
Vol. input DC:	800 V
Curr. Output AC:	10 A
Udc:	400 V
Others:	
Net weight:	8.8 kg
Gross weight:	9.8 kg



99044350 RSI 3x380V IP66 4kW 9.6A 50 Hz



Note! All units are in [mm] unless others are stated.
Disclaimer: This simplified dimensional drawing does not show all details.