



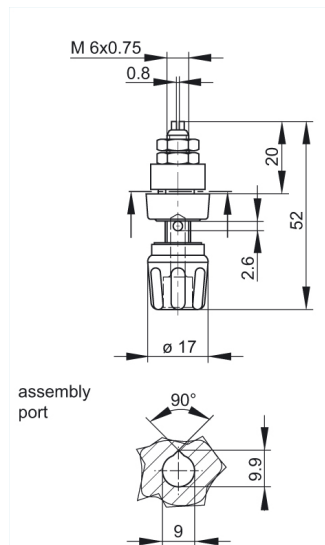
## PKNI 10 B schwarz/black

Measuring and Testing Equipment:Sockets:4 mm system

### Product description

Description	Pole terminal with claw edge, captive insulated head and insulating ring. 6 mm diameter nickel-plated brass threaded bolt with 2.6 mm diameter transverse hole. For insulated non-rotating installation in equipment chassis and switch panels up to 3.5 mm wall thickness.
Type	PKNI 10 B schwarz/black
Order No.	930 136-100
System	4 mm system
Housing Color	black
Other standard types	red color, order no. 930 136-101

### Drawing



### Technical data

Type of contact	socket
Type of termination	M 6 thread
Rated voltage	DC 60 V
Rated current	63 A
Contact resistance	2 mOhm
Mounting	screw

### Material

Contact material	brass
Contact surface material	nickel-plated
Housing material	PF

### Environmental conditions

Temperature range	-25 °C to +100 °C
-------------------	-------------------

### Inflammability class

