

CBE Range



QY-Series Miniature Circuit Breakers

Features

- DC Circuit Breaker
- Hydraulic-Magnetic Technology
- 100% Rating Capability Independent of Ambient Temperature
- Up to Two Poles (Four Poles Parallel)
- VDE, CE and CCC approved
- UL Listed (UL 489A)
- Ratings up to 200A
- Optional Auxiliary / Trip Alarm Switch
- Wide Range of Time Delays and Operating Currents
- Precision Tripping
- Ultra Compact – 13mm Width Module
- Trip Indication with Mid-Trip Handle
- Reset Immediately After Overload



Applications

- DC branch circuit protection
- Telecommunication equipment
- UPS equipment
- Alternative energy equipment
- Battery protection & switching
- Telecommunication DC power distribution

Technical Data

Product Type	Circuit Breaker	Circuit Breaker
Approvals	UL 489A, IEC / EN 60947-2, VDE, CE, CCC	UL 489A
Number of Poles	1, 2 2, 3, 4p parallel 2p series	4p series
Operating Voltages	80VDC, 125VDC, 250VDC	600VDC
Minimum Current Rating	0.1A	0.5A
Maximum Current Rating	200A	20A
Interrupting Capacity	10kA	2.5kA
Operating Temperature Range	-40°C - +85°C	
Resistance to Shock	IEC 60068-2-27, 2g/30ms half sine wave	
Mounting Options	DIN Rail, Dual Mounting (DIN & Mini), Surface Clip, Plug-in	
Tripping Curves	1, 9, U2, OP	

QY-Series Miniature Circuit Breakers

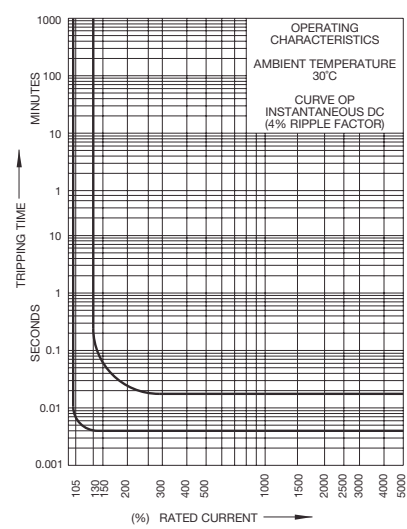
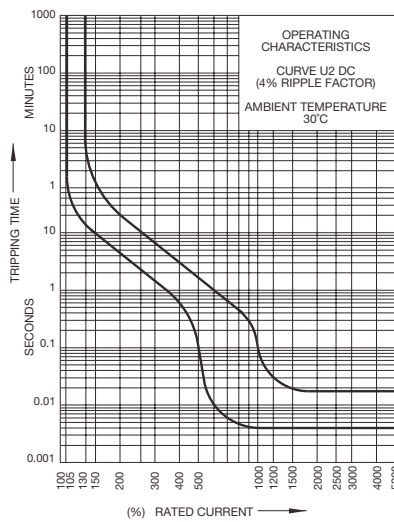
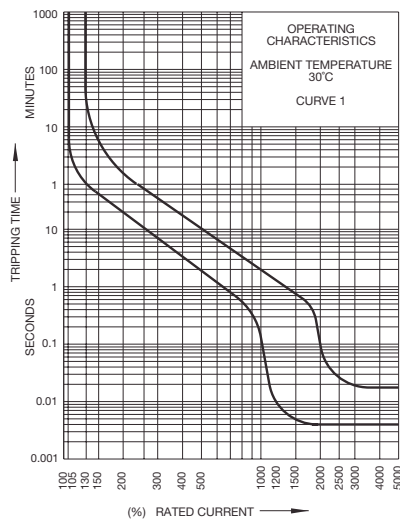
Optional Accessories

- Auxiliary Switch
- Auxiliary Switch + Trip Alarm
- Trip Alarm
- Handle Lock
- Surface Mounting Clips
- Busbar
- 57mm Escutcheon Blank

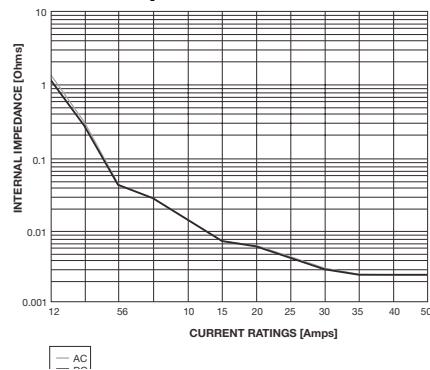
Auxiliary Switch, Trip Alarm & Combo: Features

- AC and DC Voltages
- UL 489 Listed (Auxiliary switch: 6A 250V AC, 0.5A 80V DC; Trip alarm: 5A 250V AC, 0.5A 125V DC)
- IEC 60947-5-1 Approved (Auxiliary switch: 6A 250V AC, 0.5A 80V DC; Trip alarm: 5A 250V AC, 0.5A 125V DC)
- Factory Fitted
- Attached to Right Hand Side of Circuit Breaker
- Compact 6.5mm Width
- Available in Dual and DIN Rail Mounting

Standard Time Delay Curves



Internal Impedance vs Current Rating



QY-Series Miniature Circuit Breakers

Long Code

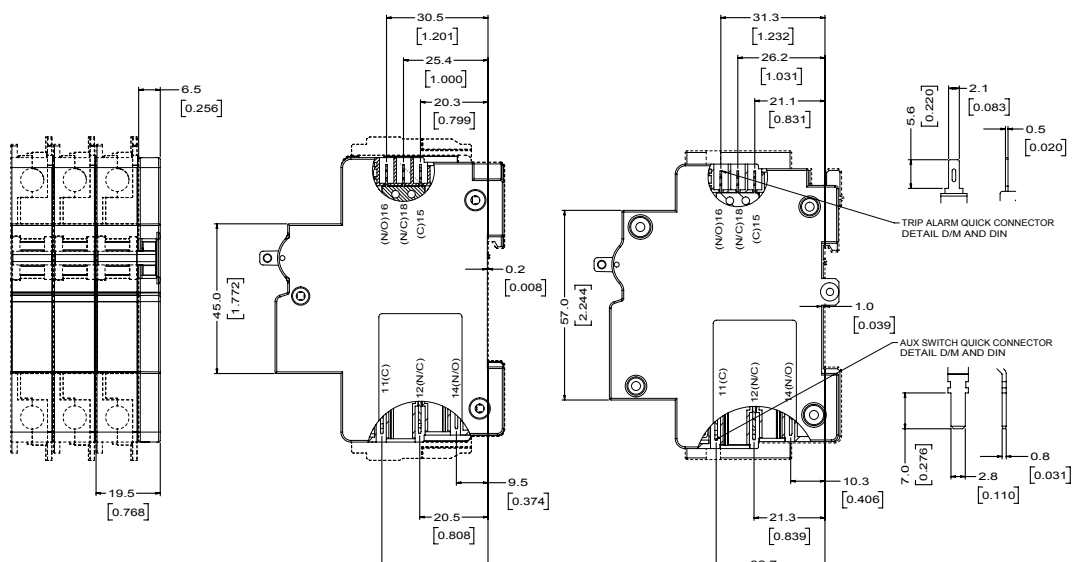
Group 1: Frame Type	Code	Description	Comments		
	QY	13mm width miniature circuit breaker	UL 489A, IEC / EN 60947-2, VDE, CE, CCC		
Group 2: Auxiliary Switch	Code	Description	Comments		
	A	Auxiliary Switch	Leave blank if not applicable		
	T	Trip Alarm			
	AT	Auxiliary Switch + Trip Alarm Combo			
Group 3: Number of Poles	Code	Description	Code	Description	
	1	Single pole	3	Triple pole	
	2	Double pole	4	Four pole	
Group 4: Module Width	Code	Description	Comments		
	(13)	13mm module width	13mm per pole		
Group 5: Mounting	Code	Description	Comments		
	D	DIN rail mount	45mm Escutcheon, Grey body		
	DM	Dual mount	57mm Escutcheon, Black body		
Group 6: Time Delays	Code	Description	Instantaneous Trip Point (x In)	Comments	
	1	Long, high instantaneous trip	10 – 20	Orange handle	
	9	Long	7 – 12	White handle	
	U2	Medium	6 – 11	White handle	
	OP	Instantaneous	None	White handle	
Group 7: Current Ratings	Code	Description	Code	Description	Comments
	0.1A	0.1A	10A	10A	Examples only. Any rating possible, from 0.1 - 200A. 0.1 - 63A (1p), 0.1A - 50A (2p), 20 - 100A (2p par) 110 - 150A (3p par), 200A (4p par)
	1A	1A	25A	25A	
	1.5A	1.5A	100A	100A	
	5A	5A	150A	150A	
Group 8: Additional	Code	Description	Code	Description	Comments
	B0	80 VDC Bottom Positive	Z	DC-Bridged (link not supplied)	Leave blank if not applicable
	B1	125 VDC Bottom Positive	ZL	DC-Bridged (link supplied)	
	T3	250 VDC Series Connected			

For options not listed, please contact CBI for assistance

Example Code: QY-1(13)-D-U2-20A-B0

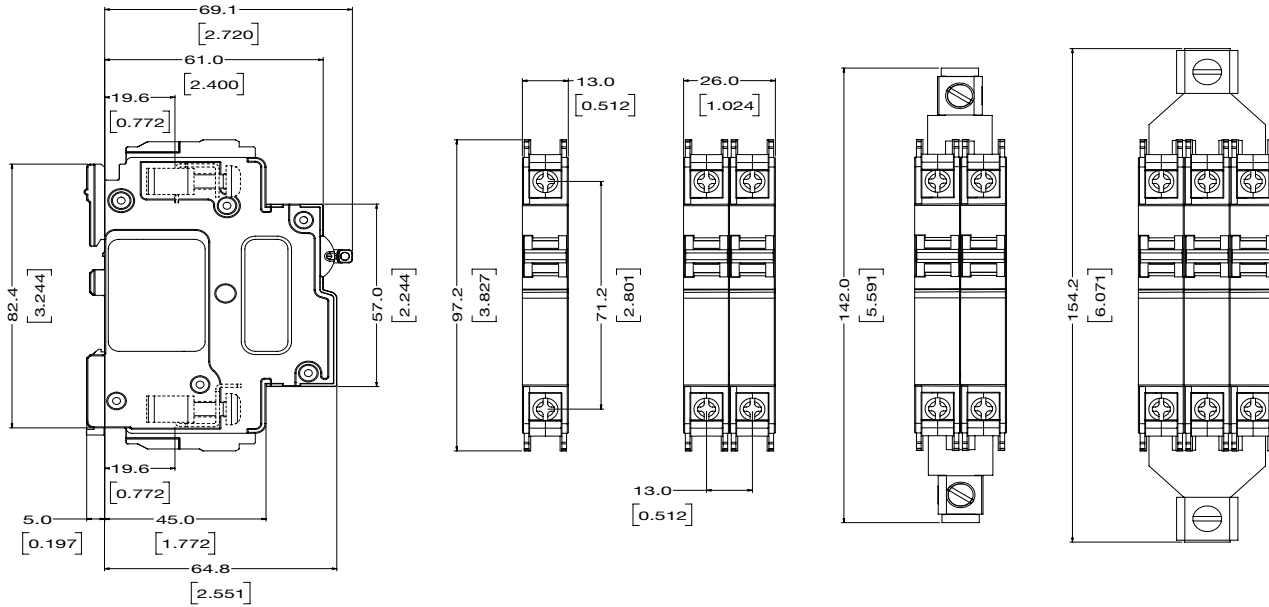
Group	1	2	3	4	5	6	7	8
Requirement	QY Frame	No Auxiliary	Single Pole	13mm	DIN Rail	Medium Delay	20A	80VDC
Long Code	QY	-	1	(13)	D	U2	20A	B0

Auxiliary Outline Dimensions: DIN and Dual Mount



QY-Series Miniature Circuit Breakers

Outline Dimensions: Dual Mount



Outline Dimensions: DIN Mount

