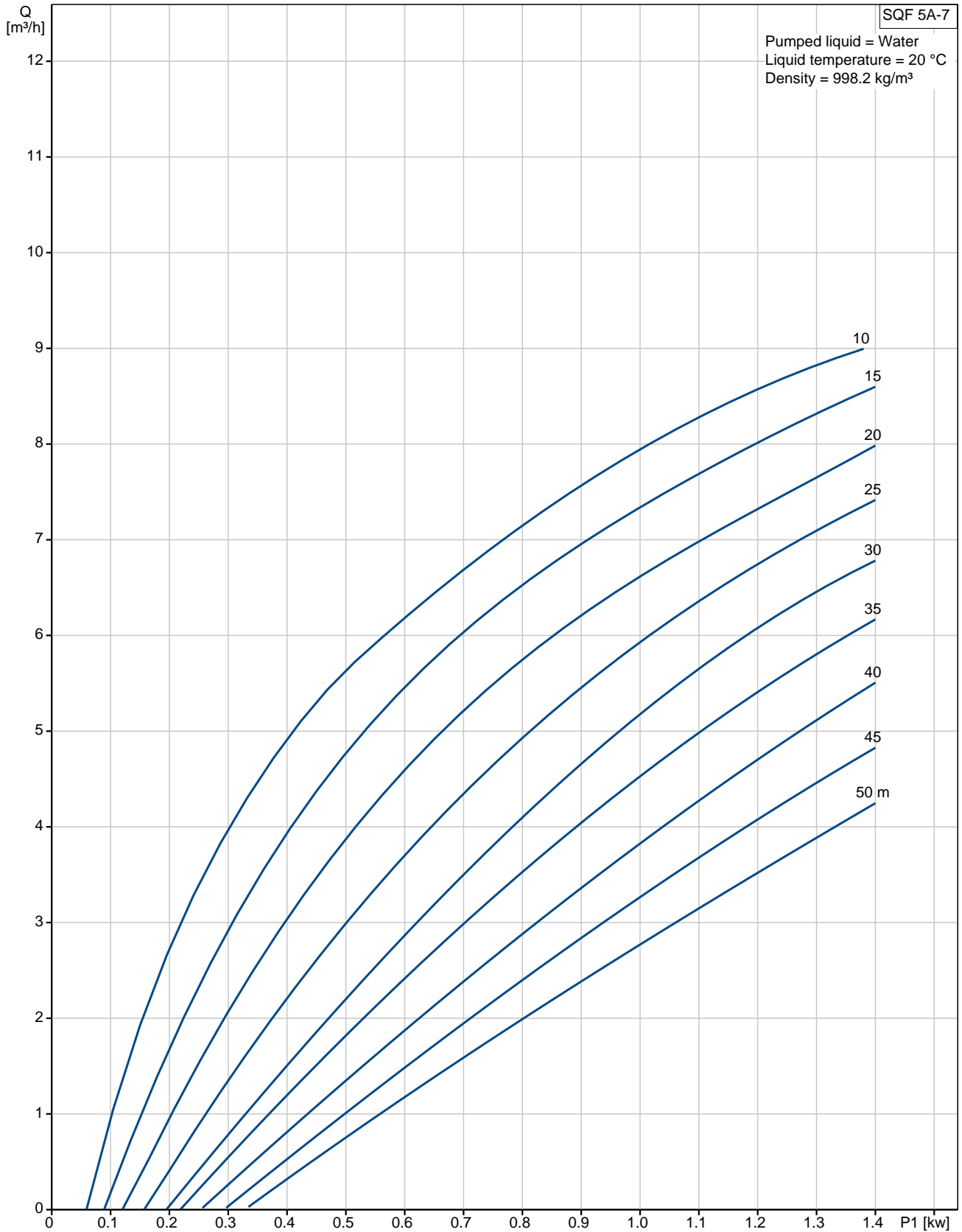
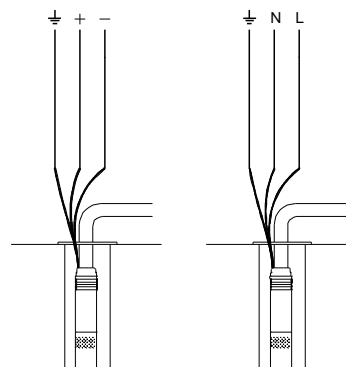
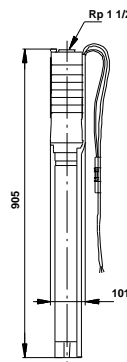
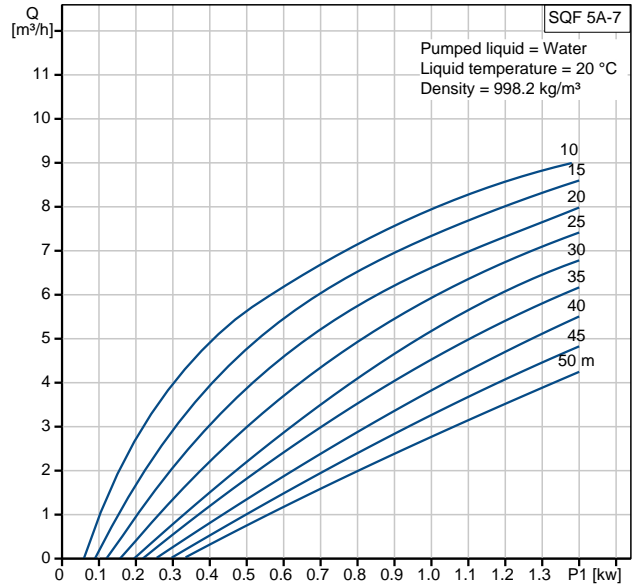




95027342 SQF 5A-7 50 Hz

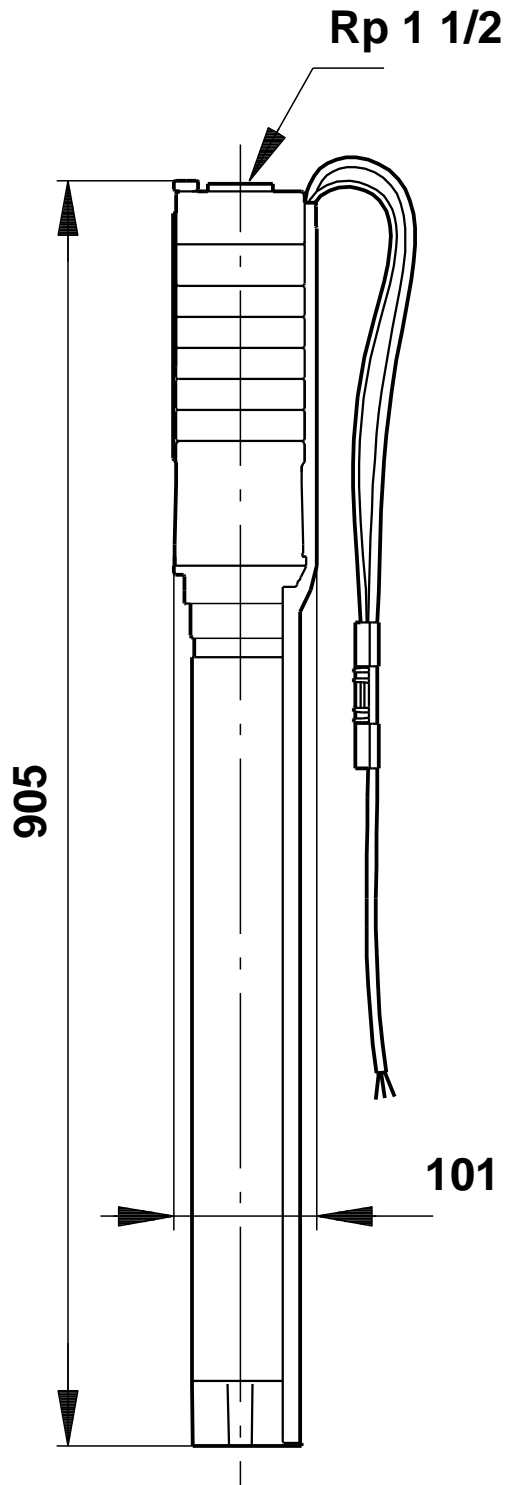


Description	Value
General information:	
Product name:	SQF 5A-7
Position:	
Product No:	95027342
EAN number:	5700834760310
Price:	On request
Technical:	
Approvals on motor nameplate:	CE, CTICK, TR_MARK
Pump No:	95027393
Stages:	7
Valve:	pump with built-in non-return valve
Materials:	
Pump:	Stainless steel DIN W.-Nr. 1.4301 AISI 304
Impeller:	Stainless steel DIN W.-Nr. 1.4301 AISI 304
Rotor:	DIN W.-Nr. 1.4301 AISI 304
Stator:	DIN W.-Nr. 1.4301 AISI 304
Installation:	
Maximum ambient pressure:	15 bar
Pump outlet:	Rp 1 1/2
Minimum borehole diameter:	102 mm
Liquid:	
Pumped liquid:	Water
Maximum liquid temperature:	40 °C
Liquid temp:	20 °C
Density:	998.2 kg/m ³
Kinematic viscosity:	1 mm ² /s
Electrical data:	
Motor type:	MSF3
Power input - P1:	1.4 kW
Rated voltage ac:	1 x 90-240 V
Rated voltage dc:	30-300 V
Start. method:	direct-on-line
Rated current:	8.4 A
Power factor:	1,0
Rated speed:	500-3600 rpm
Enclosure class (IEC 34-5):	IP68
Insulation class (IEC 85):	F
Motor protec:	Y
Thermal protec:	internal
Length of cable:	2 m
Motor No:	96275336
Others:	
Minimum efficiency index, MEI :	0.56
Net weight:	8.8 kg
Gross weight:	10.3 kg
Shipping volume:	0.028 m ³
Sales region:	Europe/South America/Japan





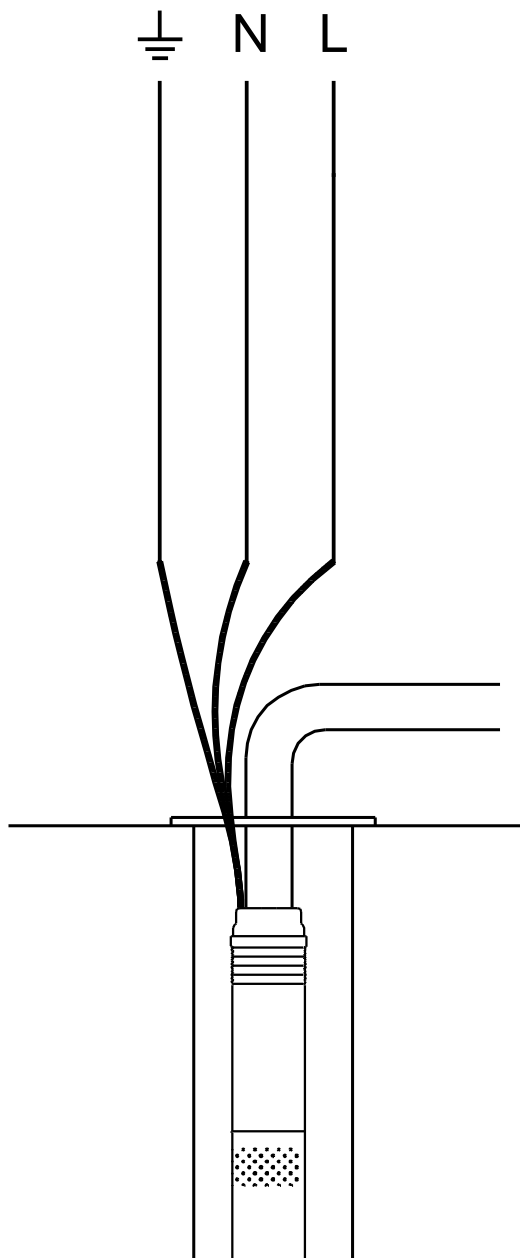
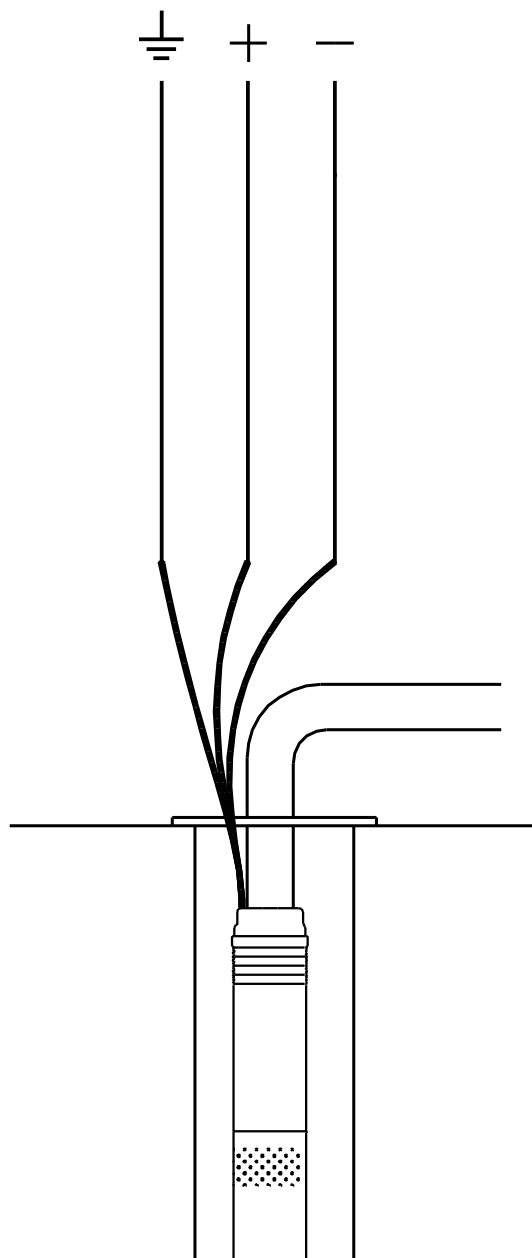
95027342 SQF 5A-7 50 Hz



Note! All units are in [mm] unless others are stated.
Disclaimer: This simplified dimensional drawing does not show all details.



95027342 SQF 5A-7 50 Hz



Note! All units are in [mm] unless others are stated.